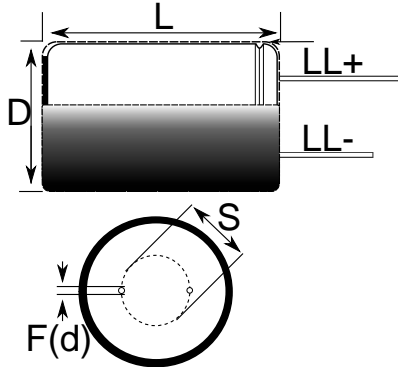


Aluminum Electrolytic, 85C, ESK, 330 uF, 20%, 160 V, -25/+85C, 36mm, Lead Spacing = 7.5mm



Note: '()' correspond to the letters used in the product bulletin

Dimensions	
D	18mm +/-0.5mm
L	36mm +2mm
S	7.5mm +/-0.5mm
LL Negative	15mm MIN
LL Positive	20mm MIN
F	0.8mm NOM

Packaging Specifications	
Packaging:	Bulk, Bag
Packaging Quantity:	500

General Information	
Dielectric:	Aluminum Electrolytic
Series:	ESK
Description:	Single Ended, Aluminum Electrolytic
RoHS:	Yes
Lead:	Wire Leads

Specifications	
Capacitance:	330 uF
Capacitance Tolerance:	20%
Voltage DC:	160 VDC, 200 VDC (Surge)
Temperature Range:	-25/+85C
Rated Temperature:	85C
Life:	2000 Hrs
Dissipation Factor:	20% 120Hz 20C
Current:	540 mAmps (120Hz 85C)
Leakage:	1594 uAmps (2min 20C)
Impedance Ratio at -25C:	7