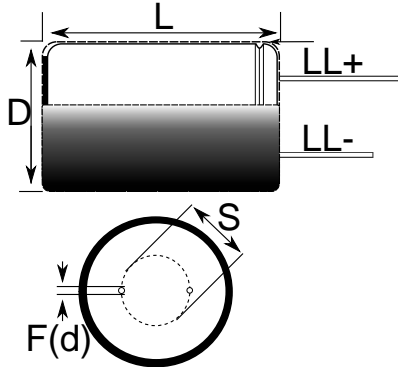


Aluminum Electrolytic, 85C, ESK, 4.7 uF, 20%, 63 V, -40/+85C, 11mm, Lead Spacing = 2mm



Note: '()' correspond to the letters used in the product bulletin

| Dimensions | |
|-------------|--------------|
| D | 5mm +/-0.5mm |
| L | 11mm +1.5mm |
| S | 2mm +/-0.5mm |
| LL Negative | 15mm MIN |
| LL Positive | 20mm MIN |
| F | 0.5mm NOM |

| Packaging Specifications | |
|--------------------------|-----------|
| Packaging: | Bulk, Bag |
| Packaging Quantity: | 10000 |

| General Information | |
|---------------------|-------------------------------------|
| Dielectric: | Aluminum Electrolytic |
| Series: | ESK |
| Description: | Single Ended, Aluminum Electrolytic |
| RoHS: | Yes |
| Lead: | Wire Leads |

| Specifications | |
|--------------------------|------------------------|
| Capacitance: | 4.7 uF |
| Capacitance Tolerance: | 20% |
| Voltage DC: | 63 VDC, 79 VDC (Surge) |
| Temperature Range: | -40/+85C |
| Rated Temperature: | 85C |
| Life: | 2000 Hrs |
| Dissipation Factor: | 10% 120Hz 20C |
| Current: | 45 mAmps (120Hz 85C) |
| Leakage: | 3 uAmps (2min 20C) |
| Impedance Ratio at -25C: | 3 |
| Impedance Ratio at -40C: | 3 |