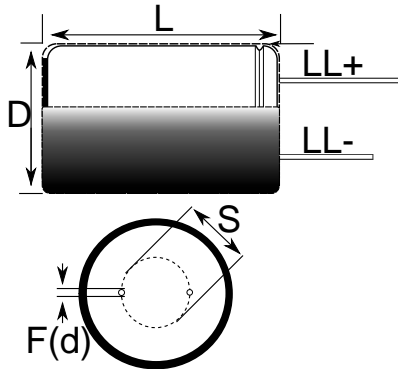


Aluminum Electrolytic, 105C LowZ, EST, 470 uF, 20%, 25 V, -40/+105C, 15mm, Lead Spacing = 5mm



Note: '()' correspond to the letters used in the product bulletin

Dimensions	
D	10mm +/-0.5mm
L	15mm +2mm
S	5mm +/-0.5mm
LL Negative	15mm MIN
LL Positive	20mm MIN
F	0.6mm NOM

Packaging Specifications	
Packaging:	Bulk, Bag
Packaging Quantity:	3000

General Information	
Dielectric:	Aluminum Electrolytic
Series:	EST
Description:	LowZ, Long Life, Single Ended Aluminum Electrolytic
Features:	Low Z, Long Life, Low Impedance
RoHS:	Yes
Lead:	Wire Leads

Specifications	
Capacitance:	470 uF
Capacitance Tolerance:	20%
Voltage DC:	25 VDC, 32 VDC (Surge)
Temperature Range:	-40/+105C
Rated Temperature:	105C
Life:	7000 Hrs
Dissipation Factor:	14%
Resistance:	0.084 Ohms (100kHz 20C)
Current:	1210 mAmps (100kHz 105C)
Leakage:	117.5 uAmps (2min 20C)
Impedance Ratio at -25C:	2
Impedance Ratio at -40C:	3