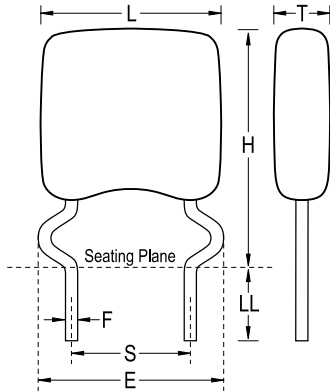


Ceramic, Commercial Grade, GoldMax, 100 pF, 5%, 100 V, C0G, Lead Spacing = 2.54mm



General Information	
Style:	Radial
Series:	GoldMax
Description:	GoldMax, Commercial Standard
RoHS:	Yes
Termination:	Tin
Failure Rate:	N/A

Specifications	
Capacitance:	100 pF
Capacitance Tolerance:	5%
Voltage DC:	100 VDC
Temperature Range:	-55/+125C
Temperature Coefficient:	C0G
Dissipation Factor:	0.1%
Aging Rate:	0% Loss/Decade Hour
Insulation Resistance:	100 GOhms
Dielectric Strength:	250 V

Dimensions	
L	3.81mm MAX
H	5.08mm MAX
T	2.54mm MAX
S	2.54mm NOM
LL	5.08mm MIN
F	0.51mm NOM
E	5.08mm NOM

Packaging Specifications	
Packaging:	T&R, 305mm, H0 = 16mm
Packaging Quantity:	2500