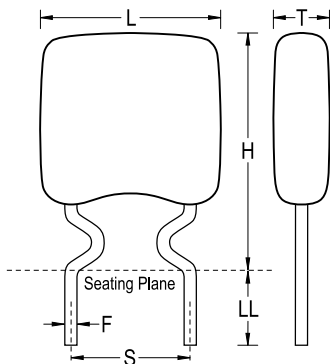


Ceramic, Commercial Grade, GoldMax, 0.1 uF, 10%, 100 V, X7R, Lead Spacing = 5.08mm



#### Dimensions

L	7.11mm MAX
H	10.16mm MAX
T	4.07mm MAX
S	5.08mm NOM
LL	7mm MIN
F	0.51mm NOM

#### Packaging Specifications

Packaging:	Bulk, Bag
Packaging Quantity:	250

#### General Information

Style:	Radial
Series:	GoldMax
Description:	GoldMax, Commercial Standard
RoHS:	Yes
Termination:	Tin
Failure Rate:	N/A

#### Specifications

Capacitance:	0.1 uF
Capacitance Tolerance:	10%
Voltage DC:	100 VDC
Temperature Range:	-55/+125C
Temperature Coefficient:	X7R
Dissipation Factor:	2.5%
Aging Rate:	3% Loss/Decade Hour
Insulation Resistance:	10 GOhms
Dielectric Strength:	250 V