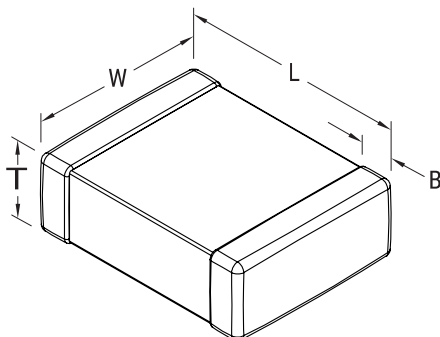


**KEMET Part Number: LDBCC2560JC5N0**  
(DBCC2560JC5N0)

Film, Metallized PPS Stacked, Commercial Grade, LDB, 0.056 uF, 5%, 50 V, 40 V, 125C, 1812, 1.7mm



Dimensions	
Chip Size	1812
L	4.7mm +0.3/-0.2mm
W	3.3mm +/-0.3mm
T	1.7mm MAX
B	0.5mm +0.5/-0.3mm

Packaging Specifications	
Packaging:	T&R
Packaging Quantity:	4000

General Information	
Dielectric:	Metallized PPS Stacked
Style:	SMD Chip
Series:	LDB
RoHS:	Yes
Approvals:	AEC-Q200
AEC-Q200:	Yes

Specifications	
Capacitance:	0.056 uF
Capacitance Tolerance:	5%
Voltage DC:	50 VDC
Voltage AC:	40 V
Temperature Range:	-55/+125C
Rated Temperature:	125C
Dissipation Factor:	0.6% 1kHz
Insulation Resistance:	3 GOhms