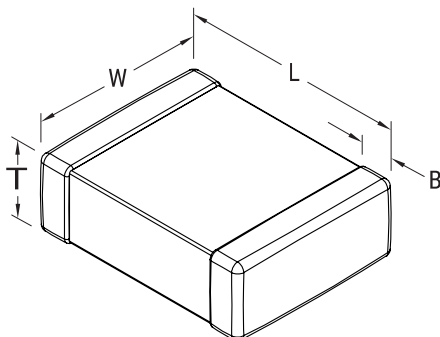


**KEMET Part Number: LDEPE2270KA5N00**  
(DEPE2270KA5N00)

Film, Metallized PEN Stacked, Commercial Grade, LDE, 0.027 uF, 10%, 630 V, 200 V, 125C, 2824, 4mm



Dimensions	
Chip Size	2824
L	7.3mm +/-0.4mm
W	6.1mm +/-0.4mm
T	4mm MAX
B	0.5mm +0.5/-0.3mm

Packaging Specifications	
Packaging:	T&R
Packaging Quantity:	1750

General Information	
Dielectric:	Metallized PEN Stacked
Style:	SMD Chip
Series:	LDE
RoHS:	Yes
Approvals:	AEC-Q200
AEC-Q200:	Yes

Specifications	
Capacitance:	0.027 uF
Capacitance Tolerance:	10%
Voltage DC:	630 VDC
Voltage AC:	200 V
Temperature Range:	-55/+125C
Rated Temperature:	125C
Dissipation Factor:	0.8% 1kHz
Insulation Resistance:	1 GOhms
Max dVdt:	100 V