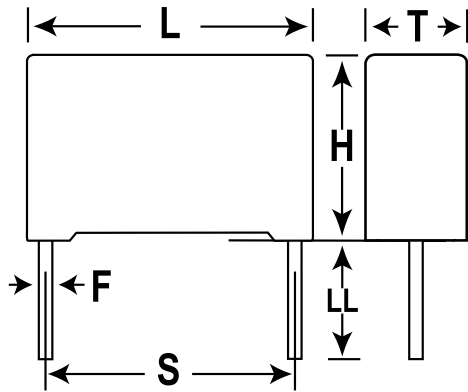


Film, Metallized Polyester, Commercial Grade, R60, 4.7 uF, 10%, 160 V, 85C, Lead Spacing = 22.5mm



Dimensions	
L	26.5mm +0.3mm
H	20mm +1mm
T	11mm +0.2mm
S	22.5mm +/-0.4mm
LL	25mm +2/-1mm
F	0.8mm +/-0.05mm

Packaging Specifications	
Packaging:	Bulk
Packaging Quantity:	250

General Information	
Dielectric:	Metallized Polyester
Style:	Radial
Series:	R60
Features:	Pulse
RoHS:	Yes
Lead:	Wire Leads
Approvals:	AEC-Q200
AEC-Q200:	Yes
Miscellaneous:	Upper Operating Temperature Of 125C Is Allowed For A Maximum Operating Time Of 1,000 Hours. Above 85C, DC And AC Voltage Derating Is 1.25%/C.

Specifications	
Capacitance:	4.7 uF
Capacitance Tolerance:	10%
Voltage DC:	160 VDC
Voltage AC:	90 VAC
Temperature Range:	-55/+105C
Rated Temperature:	85C
Dissipation Factor:	1% 1kHz
Insulation Resistance:	10 GOhms
Max dVdt:	5.5 V
Inductance:	18 nH