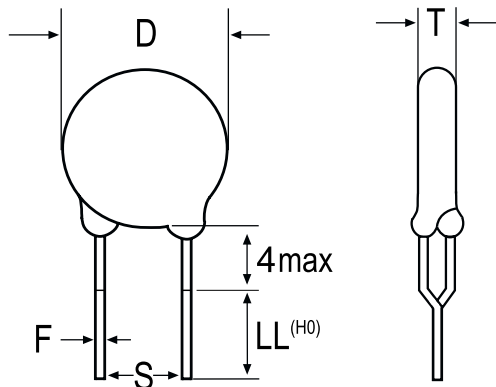


Ceramic, Safety, C900_Z, 1500 pF, 20%, Y5U, Lead Spacing = 10mm



Dimensions

D	9mm MAX
T	5mm MAX
S	10mm +/-1mm
LL	18mm +2/-0mm
F	0.55mm +/-0.1mm

Packaging Specifications

Packaging:	Ammo, H0 = 18mm, Component Pitch = 25.4mm +/-2mm
Packaging Quantity:	1000

General Information

Style:	Radial Disc
Series:	C900_Z
RoHS:	Yes
Termination:	Tin
Failure Rate:	N/A
Halogen Free:	Yes

Specifications

Capacitance:	1500 pF
Capacitance Tolerance:	20%
Temperature Range:	-40/+125C
Temperature Coefficient:	Y5U
Dissipation Factor:	2.5%
Insulation Resistance:	10 GOhms
Dielectric Strength:	2,600 V