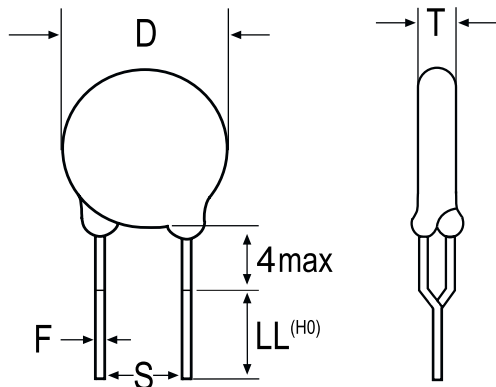


Ceramic, Safety, C900_Y, 3300 pF, 20%, Y5V, Lead Spacing = 7.5mm



General Information	
Style:	Radial Disc
Series:	C900_Y
RoHS:	Yes
Termination:	Tin
Failure Rate:	N/A
Halogen Free:	Yes

Specifications	
Capacitance:	3300 pF
Capacitance Tolerance:	20%
Temperature Range:	-40/+125C
Temperature Coefficient:	Y5V
Dissipation Factor:	5%
Insulation Resistance:	10 GOhms
Dielectric Strength:	2,600 V

Dimensions	
D	9mm MAX
T	5mm MAX
S	7.5mm +/-1mm
LL	18mm +2/-0mm
F	0.55mm +/-0.1mm

Packaging Specifications	
Packaging:	Ammo, H0 = 18mm, Component Pitch = 15mm
Packaging Quantity:	1000