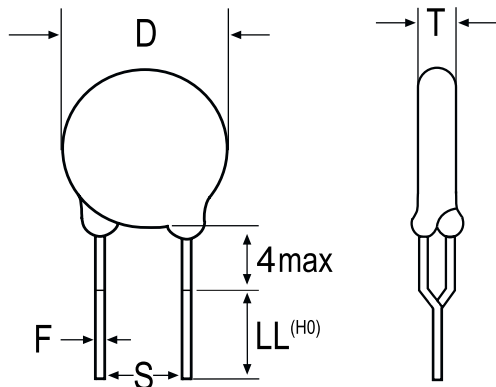


Ceramic, Safety, C900\_W, 2200 pF, 20%, Y5U, Lead Spacing = 10mm



**Dimensions**

<b>D</b>	13mm MAX
<b>T</b>	7mm MAX
<b>S</b>	10mm +/-1mm
<b>LL</b>	18mm +2/-0mm
<b>F</b>	0.55mm +/-0.1mm

**Packaging Specifications**

<b>Packaging:</b>	Ammo, H0 = 18mm, Component Pitch = 25.4mm +/-2mm
<b>Packaging Quantity:</b>	1000

**General Information**

<b>Style:</b>	Radial Disc
<b>Series:</b>	C900_W
<b>RoHS:</b>	Yes
<b>Termination:</b>	Tin
<b>Failure Rate:</b>	N/A
<b>Halogen Free:</b>	Yes

**Specifications**

<b>Capacitance:</b>	2200 pF
<b>Capacitance Tolerance:</b>	20%
<b>Temperature Range:</b>	-25/+125C
<b>Temperature Coefficient:</b>	Y5U
<b>Dissipation Factor:</b>	2.5%
<b>Insulation Resistance:</b>	10 GOhms
<b>Dielectric Strength:</b>	4,000 V