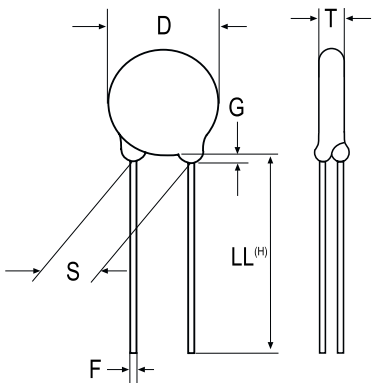


Ceramic, Safety, C900\_Y, 4700 pF, 20%, Y5U, Lead Spacing = 7.5mm



General Information	
Style:	Radial Disc
Series:	C900_Y
RoHS:	Yes
Termination:	Tin
Failure Rate:	N/A
Halogen Free:	Yes

Specifications	
Capacitance:	4700 pF
Capacitance Tolerance:	20%
Temperature Range:	-40/+125C
Temperature Coefficient:	Y5U
Dissipation Factor:	2.5%
Insulation Resistance:	10 GOhms
Dielectric Strength:	2,600 V

Dimensions	
D	13mm MAX
T	5mm MAX
S	7.5mm +/-1mm
LL	4.5mm +/-1mm
F	0.55mm +/-0.1mm
G	3mm MAX

Packaging Specifications	
Packaging:	Bulk
Packaging Quantity:	500