

DC Fan Motors

SAN ACE 127mm

SAN ACE 127



High wind capacity type

General specifications

Motor protection system ····Current cut system (with reverse-connection protection)

Dielectric strength ······50/60 Hz, 500 VAC, 1 minute
(between lead conductor and frame)

Operating thermally range -10°C to +60°C (non-condensing)

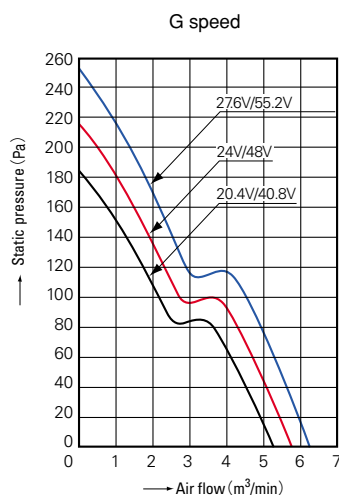
Fan power lead ········A and S speeds, ⊕ red, ⊖ black

38mm thick

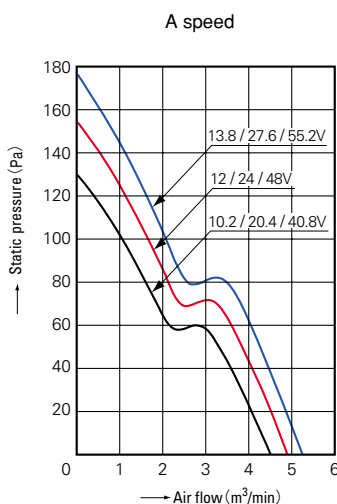
Specifications

Model No	Rated voltage (V)	Operating voltage range (V)	Rated current (A)	Rated input (W)	Rated rotating speed (min ⁻¹)	Air flow (m ³ /min)	Air flow (CFM)	Static pressure (Pa)	Noise (dB[A])	Mass (g)
109E1312A102	12	10.2~13.8	1.4	16.8	3,850	4.81	170	155	52	400
109E1312S102			1.2	14.4	3,450	4.37	154	125	49	
109E1324G102			1.1	25.1	4,550	5.66	200	216	57	
109E1324A102	24	20.4~27.6	0.7	16.8	3,850	4.81	170	155	52	
109E1324S102			0.53	12.7	3,450	4.37	154	125	49	
109E1348G102			0.54	25.9	4,550	5.66	200	216	57	
109E1348A102	48	40.8~55.2	0.36	17.3	3,850	4.81	170	155	52	
109E1348S102			0.28	13.4	3,450	4.37	154	125	49	

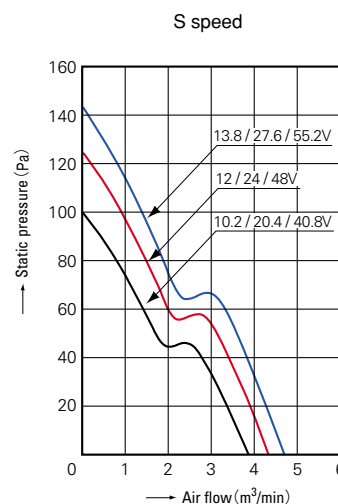
Typical air flow and static pressure characteristics



109E1324G102
109E1348G102

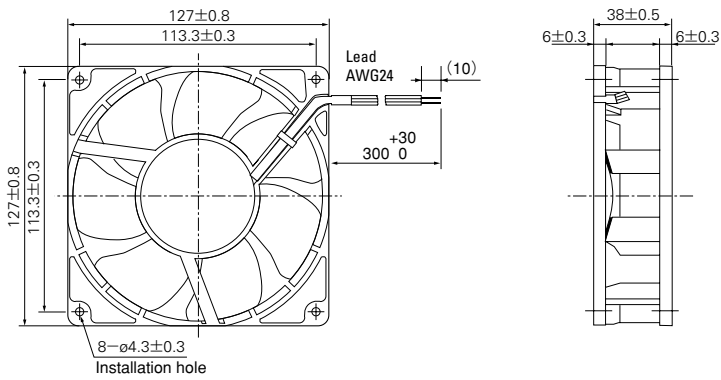


109E1312A102
109E1324A102
109E1348A102

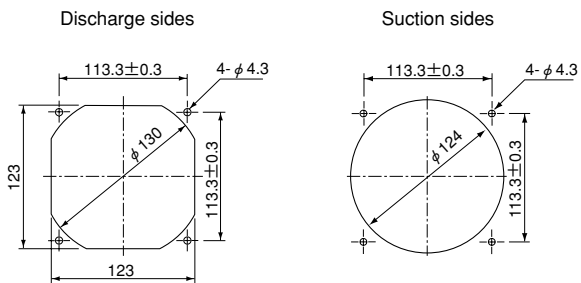


109E1312S102
109E1324S102
109E1348S102

Dimensions (unit : mm)



Reference dimensional diagram for installation holes (unit : mm)



127mm

SANYO DENKI

1-15-1, Kita-otsuka, Toshima-ku, Tokyo 170-8451, Japan. PHONE : +81 3 3917 5151
Home Page: <http://www.sanyodenki.co.jp>

Rev.B