

DC Fan Motors

# SAN ACE    92mm

## MINI ACE



### Silent, universal type

#### General specifications

- Motor protection system ····PTC protection system (25mm thick)
- Current cut system (32mm thick)
- (with reverse-connection protection)
- Dielectric strength ······50/60 Hz, 500 VAC, 1 minute
- (between lead conductor and frame)
- Operating thermally range —10°C to +60°C (non-condensing)
- Fan power lead ········H, F speeds and wide range, ⊕ red, ⊖ black
- M speed, ⊕ red, ⊖ blue

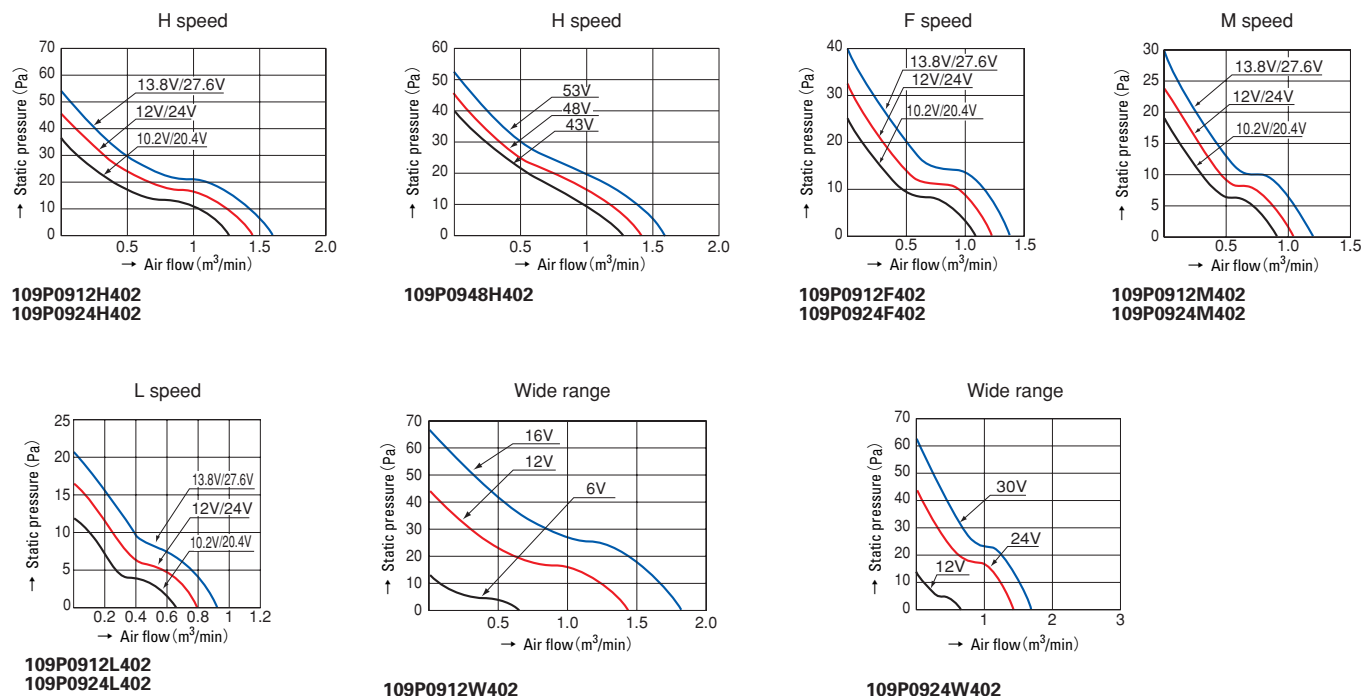
## 25mm thick

### Specifications

Model No	Rated voltage (V)	Operating voltage range (V)	Rated current (A)	Rated input (W)	Rated rotating speed (min <sup>-1</sup> )	Air flow (m <sup>3</sup> /min)	(CFM)	Static pressure (Pa)	Noise (dB[A])	Mass (g)
<b>109P0912H402(4021)</b>	12	10.2~13.8	0.21	2.52	2,850	1.45	51.2	45.1	33	150 (140)
<b>109P0912F402(4021)</b>			0.14	1.68	2,450	1.24	43.8	32.3	30	
<b>109P0912M402(4021)</b>			0.1	1.2	2,100	1.04	36.7	23.5	27	
<b>109P0912L402(4021)</b>			0.07	0.84	1,700	0.8	28.3	16.7	23	
<b>109P0912W402(4021)</b>	24	6~16	0.21	2.52	2,850	1.45	51.2	45.1	33	
<b>109P0924H402(4021)</b>			0.12	2.88	2,850	1.45	51.2	45.1	33	
<b>109P0924F402(4021)</b>	24	20.4~27.6	0.08	1.92	2,450	1.24	43.8	32.3	30	
<b>109P0924M402(4021)</b>			0.06	1.44	2,100	1.04	36.7	23.5	27	
<b>109P0924L402(4021)</b>			0.05	1.2	1,700	0.8	28.3	16.7	23	
<b>109P0924W402(4021)</b>			0.12	2.88	2,850	1.45	51.2	45.1	33	
<b>109P0948H402(4021)</b>	48	43~53	0.06	2.88	2,850	1.45	51.2	45.1	33	

The numbers in ( ) represent ribless models. W represents wide range.

### Typical air flow and static pressure characteristics



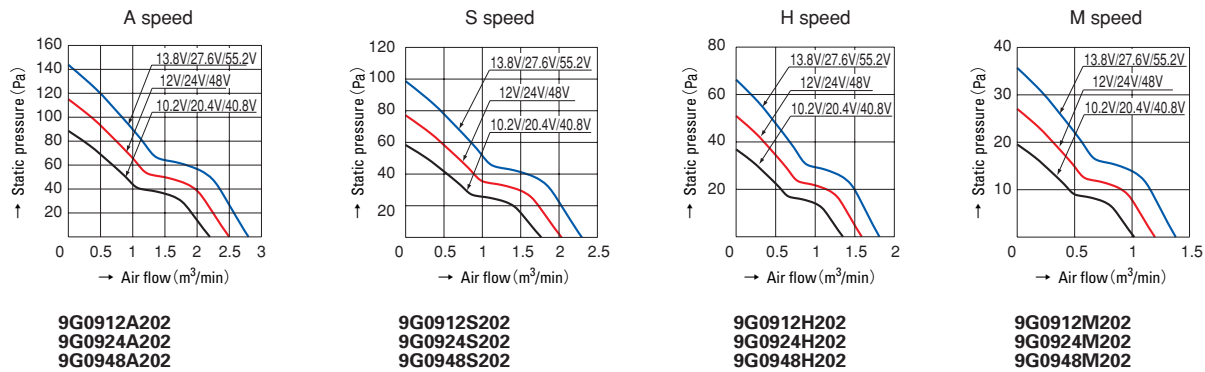
92mm

**Specifications**

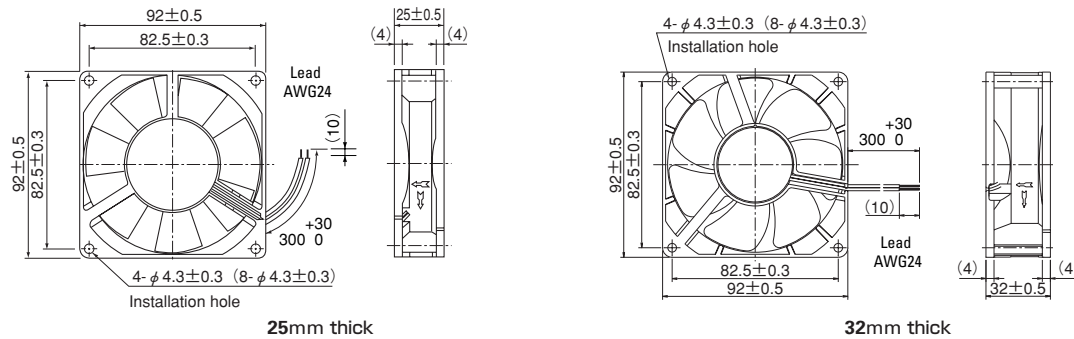
Model No	Rated voltage (V)	Operating voltage range (V)	Rated current (A)	Rated input (W)	Rated rotating speed (min <sup>-1</sup> )	Air flow (m <sup>3</sup> /min)	Static pressure (Pa)	Noise (dB[A])	Mass (g)
9G0912A202(2021)	12	10.2~13.8	0.58	6.96	4,300	2.50	88.3	115	44
9G0912S202(2021)			0.38	4.56	3,500	2.00	70.7	77	38
9G0912H202(2021)			0.23	2.76	2,850	1.59	56.2	51	32
9G0912M202(2021)			0.13	1.56	2,100	1.20	42.4	27	25
9G0924A202(2021)	24	20.4~27.6	0.30	7.20	4,300	2.50	88.3	115	44
9G0924S202(2021)			0.19	4.56	3,500	2.00	70.7	77	38
9G0924H202(2021)			0.12	2.88	2,850	1.59	56.2	51	32
9G0924M202(2021)			0.08	1.92	2,100	1.20	42.4	27	25
9G0948A202(2021)	48	40.8~55.2	0.16	7.68	4,300	2.50	88.3	115	44
9G0948S202(2021)			0.11	5.28	3,500	2.00	70.7	77	38
9G0948H202(2021)			0.08	3.84	2,850	1.59	56.2	51	32
9G0948M202(2021)			0.05	2.40	2,100	1.20	42.4	27	25

The numbers in ( ) represent ribless models.

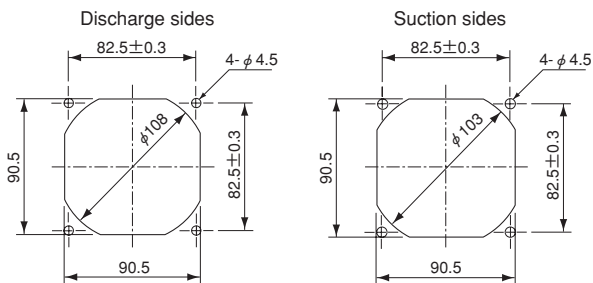
**Typical air flow and static pressure characteristics**



**Dimensions (unit : mm)**



**Reference dimensional diagram for installation holes (unit : mm)**



**Notice** The products shown in the catalog are subject to Japanese Export Control Law. Diversion contrary to the law of exporting country is prohibited.