

DC Fan Motors

# SAN ACE   127mm

## SAN ACE 127



### General specifications

Motor protection system ····Current cut system (with reverse-connection protection)

Dielectric strength ······50/60 Hz, 500 VAC, 1 minute  
(between lead conductor and frame)

Operating thermally range -10°C to +60°C (non-condensing)

Fan power lead ········S and H speeds, ⊕ red, ⊖ black

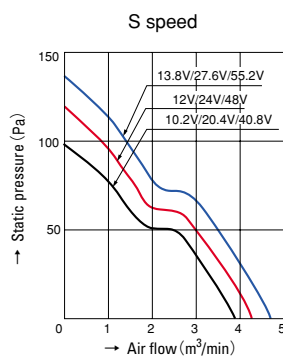
**38mm thick**

### Specifications

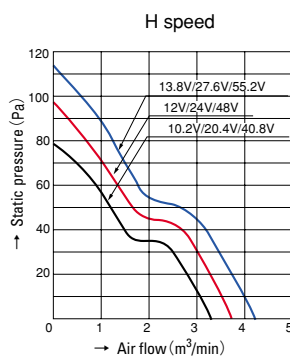
Model No	Rated voltage (V)	Operating voltage range (V)	Rated current (A)	Rated input (W)	Rated rotating speed (min <sup>-1</sup> )	Air flow (m <sup>3</sup> /min)	Air flow (CFM)	Static pressure (Pa)	Noise (dB[A])	Mass (g)
<b>109P1312S102(1021)</b>	12	10.2~13.8	1.3	15.6	3,300	4.2	148	117.6	47	350
<b>109P1312H102(1021)</b>			0.82	9.84	2,950	3.8	134	98	45	
<b>109P1324S102(1021)</b>	24	20.4~27.6	0.55	13.2	3,300	4.2	148	117.6	47	
<b>109P1324H102(1021)</b>			0.41	9.84	2,950	3.8	134	98	45	
<b>109P1348S102(1021)</b>	48	40.8~55.2	0.3	14.4	3,300	4.2	148	117.6	47	
<b>109P1348H102(1021)</b>			0.2	9.6	2,950	3.8	134	98	45	

The numbers in ( ) represent ribless models.

### Typical air flow and static pressure characteristics

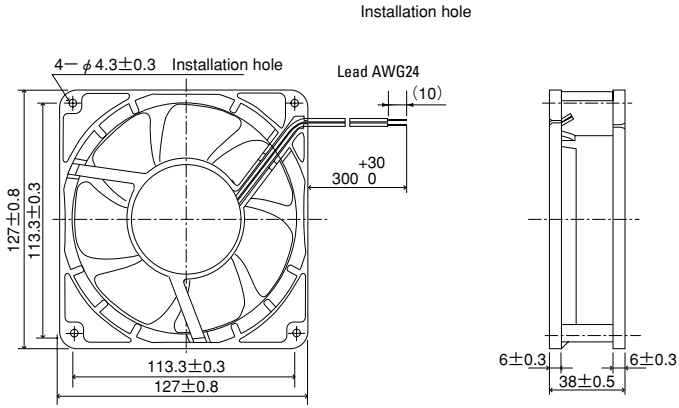


109P1312S102  
109P1324S102  
109P1348S102

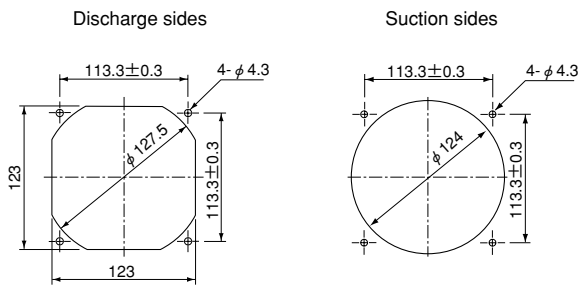


109P1312H102  
109P1324H102  
109P1348H102

**Dimensions (unit : mm)**



**Reference dimensional diagram for installation holes (unit : mm)**



127mm

**SANYO DENKI**

1-15-1, Kita-otsuka, Toshima-ku, Tokyo 170-8451, Japan. PHONE : +81 3 3917 5151  
Home Page: <http://www.sanyodenki.co.jp>