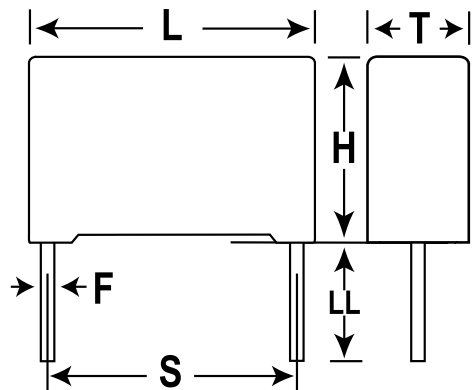


KEMET Part Number: PHE850EA4150MA01R17
(F850AG152M300A)

Film, Metallized Polypropylene, Safety, PHE850/F850, 1500 pF, 20%, 1,250 V, 300 V, 110C, Lead Spacing = 10mm



General Information	
Dielectric:	Metallized Polypropylene
Style:	Radial
Series:	PHE850/F850
Features:	Pulse
RoHS:	Yes
Lead:	Wire Leads
Approvals:	ENEC, UL, cUL
Miscellaneous:	Not For New Design, Please Check Possible Alternative Parts (AltPart)

Dimensions	
L	13mm MAX
H	9mm MAX
T	4mm MAX
S	10mm +/-0.4mm
LL	17mm NOM
F	0.6mm NOM

Specifications	
Capacitance:	1500 pF
Capacitance Tolerance:	20%
Voltage DC:	1250 VDC
Voltage AC:	300 VAC
Temperature Range:	-55/+110C
Rated Temperature:	110C
Dissipation Factor:	0.15% 1kHz, 0.2% 10kHz, 0.6% 100kHz
Insulation Resistance:	30 GOhms
Max dVdt:	100 V
Safety Class:	Y2

Packaging Specifications	
Packaging:	Bulk
Packaging Quantity:	1000