

FEM-080XW4SM0BGWT1 Range

0.80" (20 mm) White Interlocking 7 Segment Display



Features:

- High performance white LED display
- Innovative interlocking design to create multi-digit displays from single modules
- Wide viewing angle
- Grey face colour, white segment colour
- Simple connectivity using 2.54mm pitch 10-way Wire-to-Board connector
- Ideal for use in applications such as gaming machines and instrumentation displays



Contents:

- Electro / Optical Characteristics - Page 2
- Maximum Rated Values - Page 2
- Package Outline and Diagrams - Page 3

FEM-080XW4SM0BGWT1 Range

0.80" (20 mm) White Interlocking 7 Segment Display



Electro / Optical Characteristics $I_F = 20\text{mA}$, $T_a = 25^\circ\text{C}$

Part Number		Emitting Colour	Chromaticity Coordinates		Forward Voltage		Luminous Intensity, I_v	
Common Cathode	Common Anode		x	y	Typ	Max	Min	Typ
FEM-0801W4SM0BGWT1 ♦	FEM-0802W4SM0BGWT1	White	0.30	0.30	3.20	3.80	~	390
Units					V		mcd / seg	

♦ Available from Farnell/element14

Maximum Rated Values $T_a = 25^\circ\text{C}$ (Derate Above 25°C)

Characteristic	Condition	Symbol	Rating	Units
Pulse Forward Current	0.1 duty cycle @ 1kHz	I_{FP}	100	mA
DC Forward Current		I_F	25	mA
Reverse Voltage	$I_R = 10\mu\text{A}$	V_R	5	V
Operating Temperature		T_{opr}	-25 to +80	$^\circ\text{C}$
Storage Temperature		T_{stg}	-30 to +85	$^\circ\text{C}$
Lead Soldering Temperature	1.6mm from body - max 3 seconds		260	$^\circ\text{C}$

Note

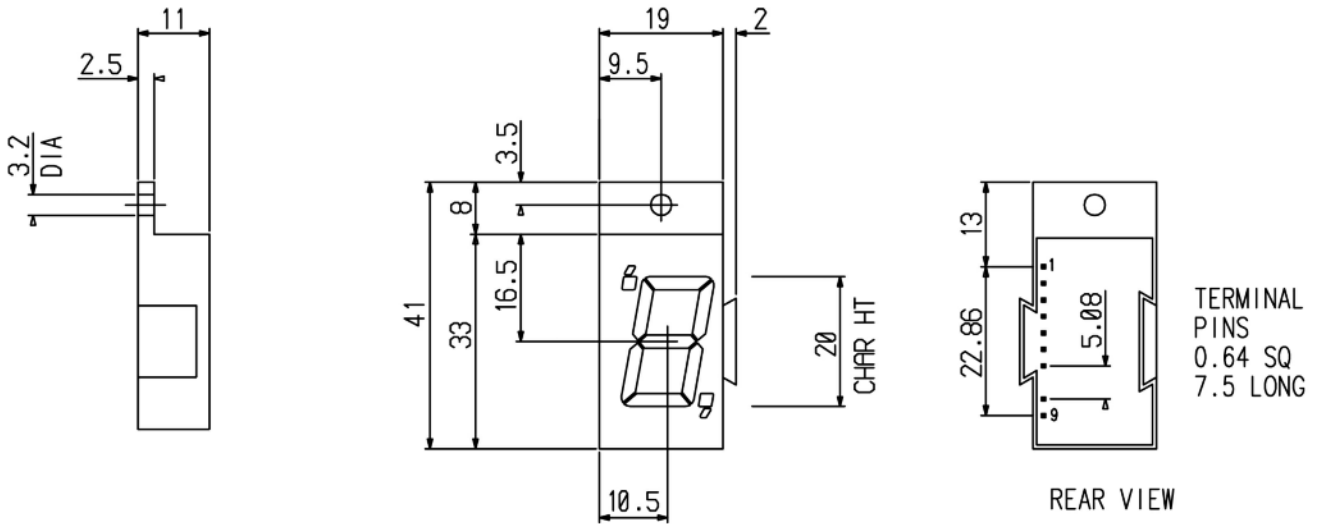
Industry standard procedures regarding static must be observed when handling white LED displays as they are produced using blue die material.

FEM-080XW4SM0BGWT1 Range

0.80" (20 mm) White Interlocking 7 Segment Display



Package Outline and Diagrams

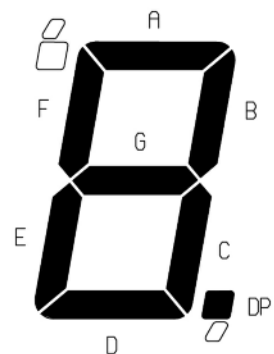
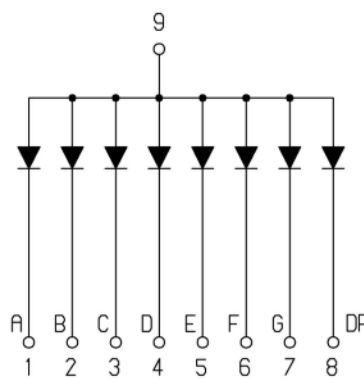
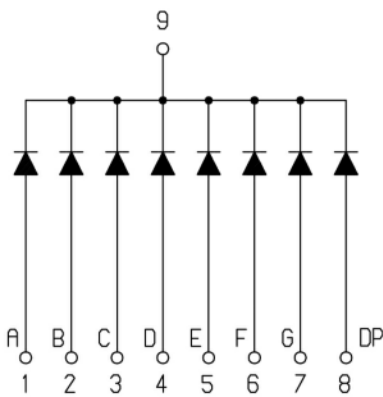


Tolerance ± 0.25 mm unless stated

Common Cathode

Common Anode

Segment Layout



Disclaimer

No representation, warranty, responsibility or liability is or will be accepted by Forge Europa Limited in relation to the accuracy or completeness of any information it provides. It is the responsibility of the customer to verify the suitability of the product for its application. All design work supplied by Forge Europa Limited is to be assumed confidential and is the sole property of Forge Europa Limited. It must not be used, copied or disclosed to any third party without the prior written consent of Forge Europa Limited. All contracts are subject to Forge Europa Limited's General Terms and Conditions of Trading which can be found at www.forge-europa.co.uk. E&OE