

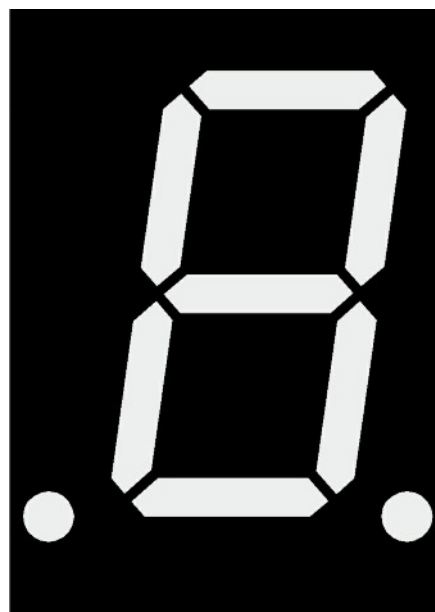
# FN1-080XW4SM0SBW Range

0.80" ( 20 mm ) RH D.P. Single Digit White 7 Segment Display



## Features:

- Right hand decimal point
- High intensity white LED display
- Black face for maximum contrast
- White diffused segment in off-state
- Ideal for use in applications requiring the display of high definition numeric digits:
  - ❑ Audio equipment
  - ❑ Domestic appliances
  - ❑ Digital clocks



## Contents:

- Electro / Optical Characteristics - Page 2
- Maximum Rated Values - Page 2
- Package Outline and Diagrams - Page 3

# FN1-080XW4SMOSBW Range

0.80" ( 20 mm ) RH D.P. Single Digit White 7 Segment Display



Electro / Optical Characteristics  $I_F = 20\text{mA}$ ,  $T_a = 25^\circ\text{C}$

Part Number		Emitting Colour	Chromaticity Coordinates		Forward Voltage		Luminous Intensity, $I_v$	
Common Cathode	Common Anode		x	y	Typ	Max	Min	Typ
FN1-0801W4SMOSBW ♦	FN1-0802W4SMOSBW ♦	White	0.30	0.30	3.20	3.80	~	390
Units					V		mcd / seg	

♦ Available from Farnell/element14

Maximum Rated Values  $T_a = 25^\circ\text{C}$  (Derate Above  $25^\circ\text{C}$ )

Characteristic	Condition	Symbol	Rating	Units
Pulse Forward Current	0.1 duty cycle @ 1kHz	$I_{FP}$	100	mA
DC Forward Current		$I_F$	25	mA
Reverse Voltage	$I_R = 10\mu\text{A}$	$V_R$	5	V
Operating Temperature		$T_{opr}$	-25 to +80	$^\circ\text{C}$
Storage Temperature		$T_{stg}$	-30 to +85	$^\circ\text{C}$
Lead Soldering Temperature	1.6mm from body - max 3 seconds		260	$^\circ\text{C}$

## Note

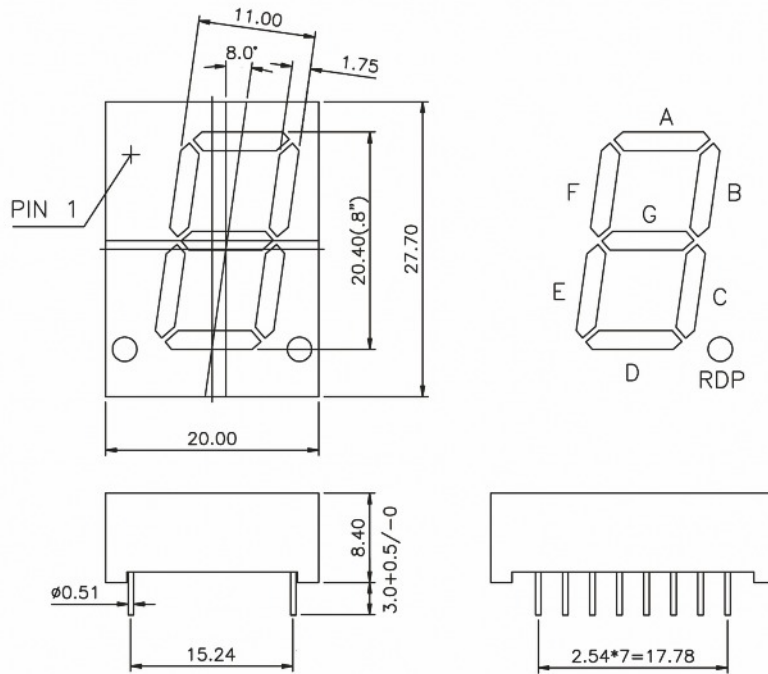
Industry standard procedures regarding static must be observed when handling white LED displays as they are produced using blue die material.

# FN1-080XW4SMOSBW Range

0.80" ( 20 mm ) RH D.P. Single Digit White 7 Segment Display



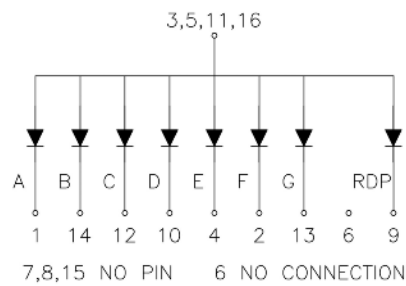
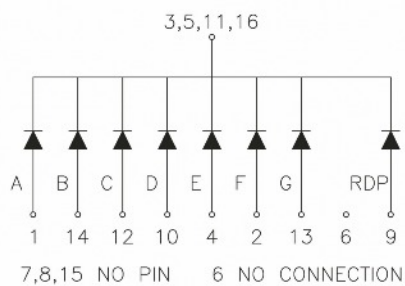
## Package Outline and Diagrams



Tolerance  $\pm 0.25$  mm unless stated

Common Cathode

Common Anode



## Disclaimer

No representation, warranty, responsibility or liability is or will be accepted by Forge Europa Limited in relation to the accuracy or completeness of any information it provides. It is the responsibility of the customer to verify the suitability of the product for its application. All design work supplied by Forge Europa Limited is to be assumed confidential and is the sole property of Forge Europa Limited. It must not be used, copied or disclosed to any third party without the prior written consent of Forge Europa Limited. All contracts are subject to Forge Europa Limited's General Terms and Conditions of Trading which can be found at [www.forge-europa.co.uk](http://www.forge-europa.co.uk). E&OE