



Is Now Part of



**ON Semiconductor®**

To learn more about ON Semiconductor, please visit our website at  
[www.onsemi.com](http://www.onsemi.com)

ON Semiconductor and the ON Semiconductor logo are trademarks of Semiconductor Components Industries, LLC dba ON Semiconductor or its subsidiaries in the United States and/or other countries. ON Semiconductor owns the rights to a number of patents, trademarks, copyrights, trade secrets, and other intellectual property. A listing of ON Semiconductor's product/patent coverage may be accessed at [www.onsemi.com/site/pdf/Patent-Marking.pdf](http://www.onsemi.com/site/pdf/Patent-Marking.pdf). ON Semiconductor reserves the right to make changes without further notice to any products herein. ON Semiconductor makes no warranty, representation or guarantee regarding the suitability of its products for any particular purpose, nor does ON Semiconductor assume any liability arising out of the application or use of any product or circuit, and specifically disclaims any and all liability, including without limitation special, consequential or incidental damages. Buyer is responsible for its products and applications using ON Semiconductor products, including compliance with all laws, regulations and safety requirements or standards, regardless of any support or applications information provided by ON Semiconductor. "Typical" parameters which may be provided in ON Semiconductor data sheets and/or specifications can and do vary in different applications and actual performance may vary over time. All operating parameters, including "Typicals" must be validated for each customer application by customer's technical experts. ON Semiconductor does not convey any license under its patent rights nor the rights of others. ON Semiconductor products are not designed, intended, or authorized for use as a critical component in life support systems or any FDA Class 3 medical devices or medical devices with a same or similar classification in a foreign jurisdiction or any devices intended for implantation in the human body. Should Buyer purchase or use ON Semiconductor products for any such unintended or unauthorized application, Buyer shall indemnify and hold ON Semiconductor and its officers, employees, subsidiaries, affiliates, and distributors harmless against all claims, costs, damages, and expenses, and reasonable attorney fees arising out of, directly or indirectly, any claim of personal injury or death associated with such unintended or unauthorized use, even if such claim alleges that ON Semiconductor was negligent regarding the design or manufacture of the part. ON Semiconductor is an Equal Opportunity/Affirmative Action Employer. This literature is subject to all applicable copyright laws and is not for resale in any manner.

## MM74HCT240 • MM74HCT244

### Inverting Octal 3-STATE Buffer • Octal 3-STATE Buffer

#### General Description

The MM74HCT240 and MM74HCT244 3-STATE buffers utilize advanced silicon-gate CMOS technology and are general purpose high speed inverting and non-inverting buffers. They possess high drive current outputs which enable high speed operation even when driving large bus capacitances. These circuits achieve speeds comparable to low power Schottky devices, while retaining the low power consumption of CMOS. All three devices are TTL input compatible and have a fanout of 15 LS-TTL equivalent inputs.

MM74HCT devices are intended to interface between TTL and NMOS components and standard CMOS devices. These parts are also plug-in replacements for LS-TTL devices and can be used to reduce power consumption in existing designs.

The MM74HCT240 is an inverting buffer and the MM74HCT244 is a non-inverting buffer. Each device has two active low enables (1G and 2G), and each enable independently controls 4 buffers.

All inputs are protected from damage due to static discharge by diodes to  $V_{CC}$  and Ground.

#### Features

- TTL input compatible
- Typical propagation delay: 14 ns
- 3-STATE outputs for connection to system buses
- Low quiescent current: 80  $\mu$ A
- High output drive current: 6 mA (min)

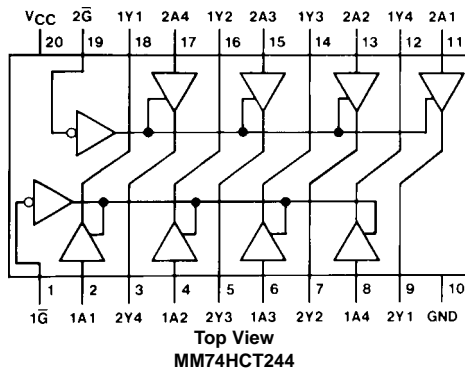
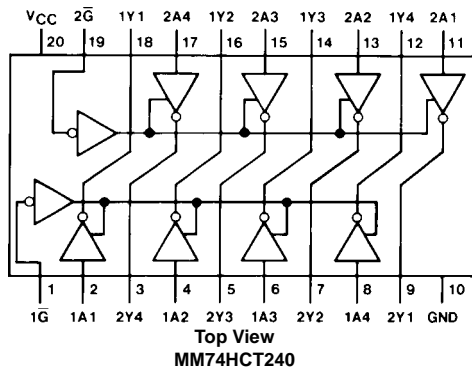
#### Ordering Code:

| Order Number  | Package Number | Package Description   |
|---------------|----------------|---|
| MM74HCT240WM  | M20B           | 20-Lead Small Outline Integrated Circuit (SOIC), JEDEC MS-013, 0.300" Wide  |
| MM74HCT240SJ  | M20D           | 20-Lead Small Outline Package (SOP), EIAJ TYPE II, 5.3mm Wide               |
| MM74HCT240MTC | MTC20          | 20-Lead Thin Shrink Small Outline Package (TSSOP), JEDEC MO-153, 4.4mm Wide |
| MM74HCT240N   | N20A           | 20-Lead Plastic Dual-In-Line Package (PDIP), JEDEC MS-001, 0.300" Wide      |
| MM74HCT244WM  | M20B           | 20-Lead Small Outline Integrated Circuit (SOIC), JEDEC MS-013, 0.300" Wide  |
| MM74HCT244SJ  | M20D           | 20-Lead Small Outline Package (SOP), EIAJ TYPE II, 5.3mm Wide               |
| MM74HCT244MTC | MTC20          | 20-Lead Thin Shrink Small Outline Package (TSSOP), JEDEC MO-153, 4.4mm Wide |
| MM74HCT244N   | N20A           | 20-Lead Plastic Dual-In-Line Package (PDIP), JEDEC MS-001, 0.300" Wide      |

Devices also available in Tape and Reel. Specify by appending the suffix letter "X" to the ordering code.

#### Connection Diagrams

Pin Assignments for DIP, SOIC, SOP and TSSOP



### Truth Tables

MM74HCT240

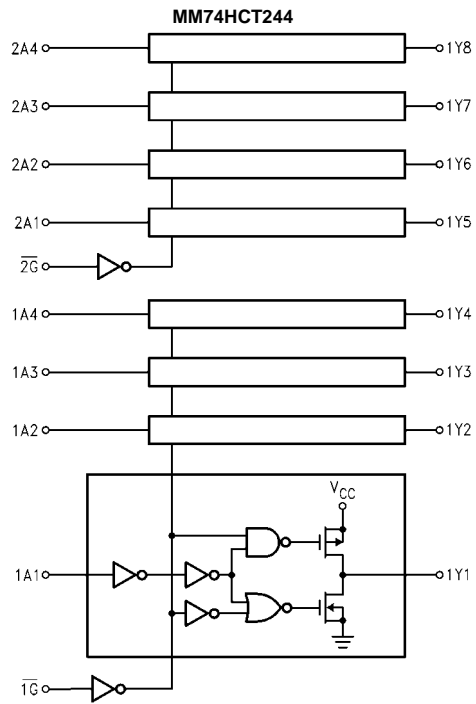
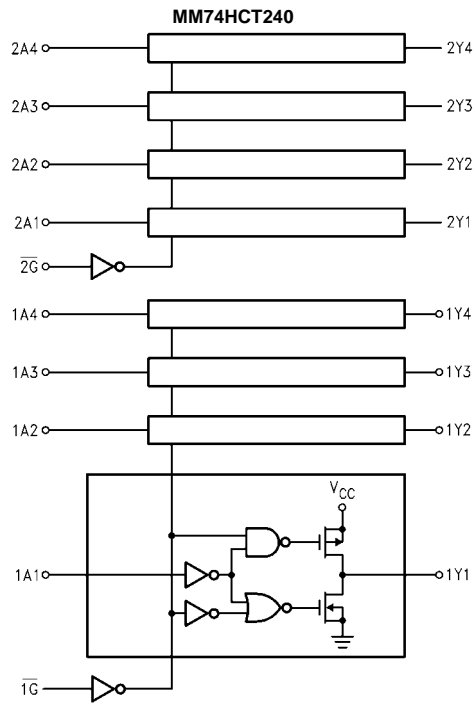
| 1 $\bar{G}$ | 1A | 1Y | 2 $\bar{G}$ | 2A | 2Y |
|-------------|----|----|-------------|----|----|
| L           | L  | H  | L           | L  | H  |
| L           | H  | L  | L           | H  | L  |
| H           | L  | Z  | H           | L  | Z  |
| H           | H  | Z  | H           | H  | Z  |

H = HIGH Level      L = LOW Level      Z = High Impedance

MM74HCT244

| 1 $\bar{G}$ | 1A | 1Y | 2 $\bar{G}$ | 2A | 2Y |
|-------------|----|----|-------------|----|----|
| L           | L  | L  | L           | L  | L  |
| L           | H  | H  | L           | H  | H  |
| H           | L  | Z  | H           | L  | Z  |
| H           | H  | Z  | H           | H  | Z  |

### Logic Diagrams



### Absolute Maximum Ratings (Note 1)

(Note 2)

|  |                         |
|--|-------------------------|
| Supply Voltage ( $V_{CC}$ )                      | -0.5 to +7.0V           |
| DC Input Voltage ( $V_{IN}$ )                    | -1.5 to $V_{CC} + 1.5V$ |
| DC Output Voltage ( $V_{OUT}$ )                  | -0.5 to $V_{CC} + 0.5V$ |
| Clamp Diode Current ( $I_{IK}, I_{OK}$ )         | $\pm 20$ mA             |
| DC Output Current, per pin ( $I_{OUT}$ )         | $\pm 35$ mA             |
| DC $V_{CC}$ or GND Current, per pin ( $I_{CC}$ ) | $\pm 70$ mA             |
| Storage Temperature Range ( $T_{STG}$ )          | -65°C to +150°C         |
| Power Dissipation ( $P_D$ )                      |                         |
| <small>(Note 3)</small>                          | 600 mW                  |
| S.O. Package only                                | 500 mW                  |
| Lead Temperature ( $T_L$ )                       |                         |
| <small>(Soldering 10 seconds)</small>            | 260°C                   |

### Recommended Operating Conditions

|   | Min | Max      | Units |
|---|-----|----------|-------|
| Supply Voltage ( $V_{CC}$ )                         | 4.5 | 5.5      | V     |
| DC Input or Output Voltage<br>( $V_{IN}, V_{OUT}$ ) | 0   | $V_{CC}$ | V     |
| Operating Temperature Range ( $T_A$ )               | -40 | +85      | °C    |
| Input Rise or Fall Times<br>( $t_r, t_f$ )          |     | 500      | ns    |

**Note 1:** Absolute Maximum Ratings are those values beyond which damage to the device may occur.

**Note 2:** Unless otherwise specified all voltages are referenced to ground.

**Note 3:** Power Dissipation temperature derating — plastic "N" package: -12 mW/°C from 65°C to 85°C.

### DC Electrical Characteristics

$V_{CC} = 5V \pm 10\%$  (unless otherwise specified)

| Symbol   | Parameter                              | Conditions  | $T_A = 25^\circ C$ |                   | $T_A = -40$ to $85^\circ C$ | $T_A = -55^\circ$ to $125^\circ C$ | Units   |
|----------|--|---|--------------------|-------------------|-----------------------------|------------------------------------|---------|
|          |  |   | Typ                | Guaranteed Limits |                             |                                    |         |
| $V_{IH}$ | Minimum HIGH Level Input Voltage       |   |                    | 2.0               | 2.0                         | 2.0                                | V       |
| $V_{IL}$ | Maximum LOW Level Input Voltage        |   |                    | 0.8               | 0.8                         | 0.8                                | V       |
| $V_{OH}$ | Minimum HIGH Level Output Voltage      | $V_{IN-EE} = V_{IH}$ or $V_{IL}$                                | $V_{CC}$           | $V_{CC}-0.1$      | $V_{CC}-0.1$                | $V_{CC}-0.1$                       | V       |
|          |  | $ I_{OUT}  = 20 \mu A$  | 4.2                | 3.98              | 3.84                        | 3.7                                | V       |
|          |  | $ I_{OUT}  = 6.0$ mA, $V_{CC} = 4.5V$                           | 5.2                | 4.98              | 4.84                        | 4.7                                | V       |
| $V_{OL}$ | Maximum LOW Level Voltage              | $V_{IN} = V_{IH}$ or $V_{IL}$                                   | 0                  | 0.1               | 0.1                         | 0.1                                | V       |
|          |  | $ I_{OUT}  = 20 \mu A$  | 0.2                | 0.26              | 0.33                        | 0.4                                | V       |
|          |  | $ I_{OUT}  = 6.0$ mA, $V_{CC} = 4.5V$                           | 0.2                | 0.26              | 0.33                        | 0.4                                | V       |
| $I_{IN}$ | Maximum Input Current                  | $V_{IN} = V_{CC}$ or GND, $V_{IH}$ or $V_{IL}$                  |                    | $\pm 0.05$        | $\pm 0.5$                   | $\pm 1.0$                          | $\mu A$ |
|          |  |   |                    |                   |                             |                                    |         |
| $I_{OZ}$ | Maximum 3-STATE Output Leakage Current | $V_{OUT} = V_{CC}$ or GND<br>$\bar{G} = V_{IH}$<br>$G = V_{IL}$ |                    | $\pm 0.25$        | $\pm 2.5$                   | $\pm 10$                           | $\mu A$ |
| $I_{CC}$ | Maximum Quiescent Supply Current       | $V_{IN} = V_{CC}$ or GND<br>$I_{OUT} = 0 \mu A$                 |                    | 4.0               | 40                          | 160                                | $\mu A$ |
|          |  | $V_{IN} = 2.4V$ or $0.5V$ (Note 4)                              | 0.6                | 1.0               | 1.3                         | 1.5                                | mA      |

**Note 4:** Measured per input. All other inputs at  $V_{CC}$  or GND.

### AC Electrical Characteristics

MM74HCT240, MM74HCT244  $V_{CC} = 5.0V$ ,  $t_r = t_f = 6$  ns,  $T_A = 25^\circ C$  (unless otherwise specified)

| Symbol                | Parameter                        | Conditions                            | Typ | Guaranteed Limits | Units |
|-----------------------|----------------------------------|---------------------------------------|-----|-------------------|-------|
| $t_{PHL}$ , $t_{PLH}$ | Maximum Output Propagation Delay | $C_L = 45$ pF                         | 14  | 18                | ns    |
| $t_{PZL}$ , $t_{PZH}$ | Maximum Output Enable Time       | $C_L = 45$ pF<br>$R_L = 1$ k $\Omega$ | 20  | 30                | ns    |
| $t_{PLZ}$ , $t_{PHZ}$ | Maximum Output Disable Time      | $C_L = 5$ pF<br>$R_L = 1$ k $\Omega$  | 16  | 25                | ns    |

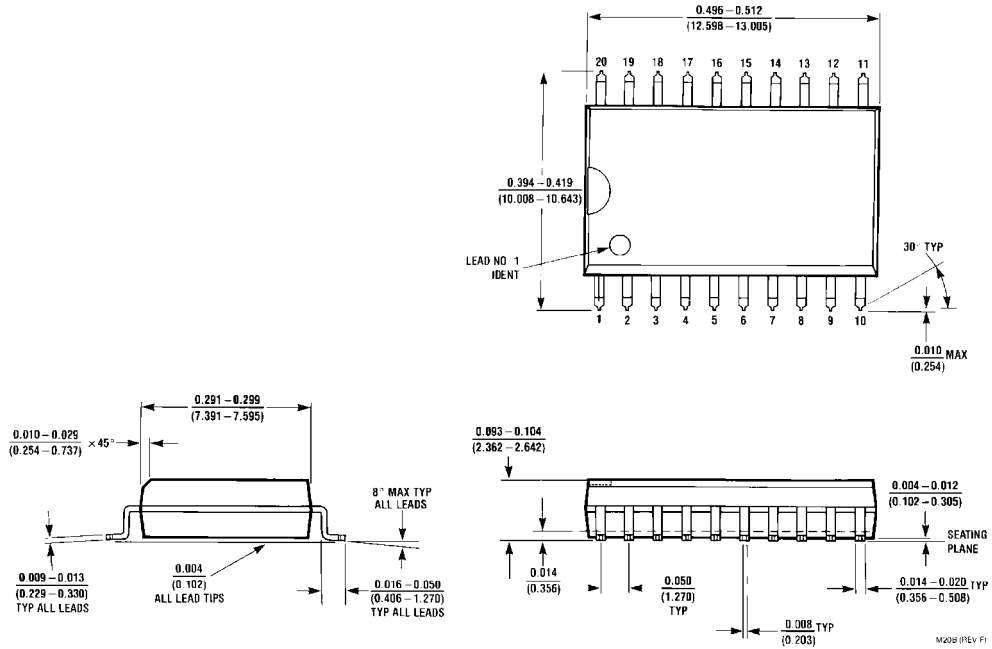
### AC Electrical Characteristics

MM74HCT240, MM74HCT244  $V_{CC} = 5.0V \pm 10\%$ ,  $t_r = t_f = 6$  ns (unless otherwise specified)

| Symbol                | Parameter                              | Conditions  | $T_A = 25^\circ C$ |                   |    | Units |    |    |
|-----------------------|--|---|--------------------|-------------------|----|-------|----|----|
|                       |  |   | Typ                | Guaranteed Limits |    |       |    |    |
| $t_{PHL}$ , $t_{PLH}$ | Maximum Output Propagation Delay       | $C_L = 50$ pF                                       | 14                 | 20                | 25 | 30    | ns |    |
|                       |  | $C_L = 150$ pF                                      | 20                 | 28                | 35 | 42    | ns |    |
| $t_{PZH}$ , $t_{PZL}$ | Maximum Output Enable Time             | $R_L = 1$ k $\Omega$                                | $C_L = 50$ pF      | 21                | 30 | 38    | 45 | ns |
|                       |  |   | $C_L = 150$ pF     | 26                | 42 | 53    | 63 | ns |
| $t_{PHZ}$ , $t_{PLZ}$ | Maximum Output Disable Time            | $R_L = 1$ k $\Omega$<br>$C_L = 50$ pF               | 16                 | 25                | 32 | 38    | ns |    |
| $t_{THL}$ , $t_{TLH}$ | Maximum Output Rise and Fall Time      | $C_L = 50$ pF                                       | 6                  | 12                | 15 | 18    | ns |    |
| $C_{IN}$              | Maximum Input Capacitance              |   | 10                 | 15                | 15 | 15    | pF |    |
| $C_{OUT}$             | Maximum Output Capacitance             |   | 15                 | 20                | 20 | 20    | pF |    |
| $C_{PD}$              | Power Dissipation Capacitance (Note 5) | (per buffer)<br>$\overline{G} = V_{CC}$ , $G = GND$ | 5                  |                   |    |       | pF |    |
|                       |  | $\overline{G} = GND$ , $G = V_{CC}$                 | 90                 |                   |    |       | pF |    |

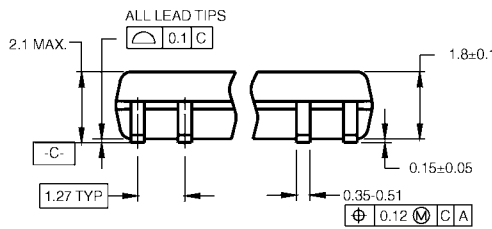
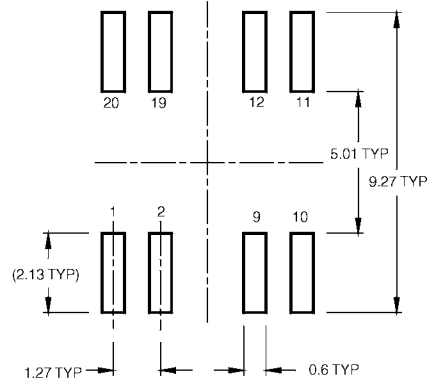
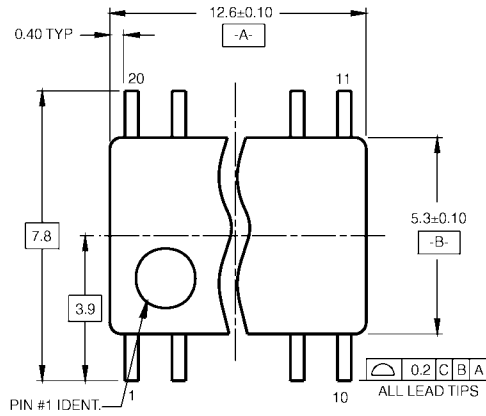
**Note 5:**  $C_{PD}$  determines the no load dynamic power consumption,  $P_D = C_{PD} V_{CC}^2 f + I_{CC} V_{CC}$ , and the no load dynamic current consumption,  $I_S = C_{PD} V_{CC} f + I_{CC}$ .

**Physical Dimensions** inches (millimeters) unless otherwise noted

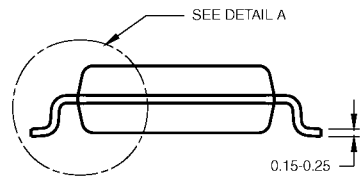


**20-Lead Small Outline Integrated Circuit (SOIC), JEDEC MS-013, 0.300" Wide  
Package Number M20B**

**Physical Dimensions** inches (millimeters) unless otherwise noted (Continued)

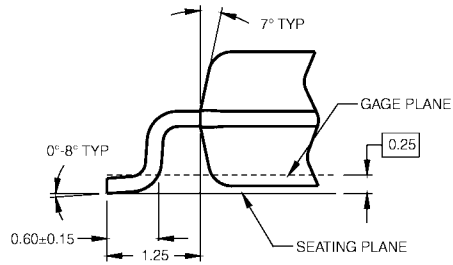


DIMENSIONS ARE IN MILLIMETERS



- NOTES:  
 A. CONFORMS TO EIAJ EDR-7320 REGISTRATION, ESTABLISHED IN DECEMBER, 1998.  
 B. DIMENSIONS ARE IN MILLIMETERS.  
 C. DIMENSIONS ARE EXCLUSIVE OF BURRS, MOLD FLASH, AND TIE BAR EXTRUSIONS.

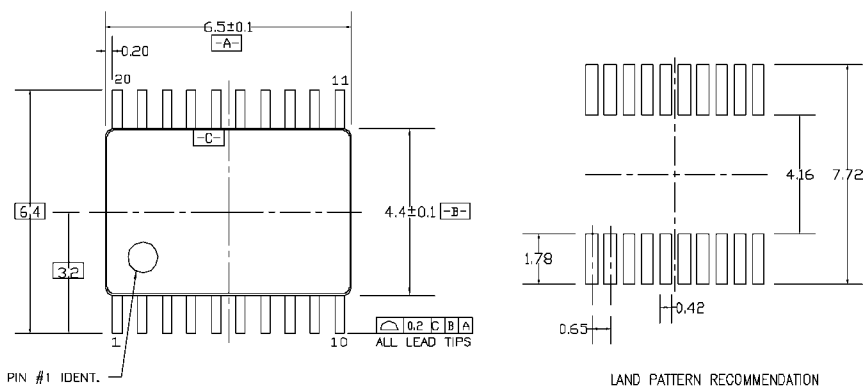
M20DRevB1



DETAIL A

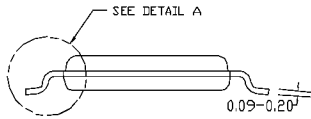
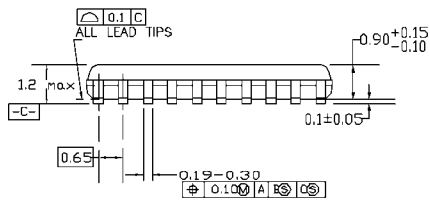
**20-Lead Small Outline Package (SOP), EIAJ TYPE II, 5.3mm Wide  
 Package Number M20D**

**Physical Dimensions** inches (millimeters) unless otherwise noted (Continued)

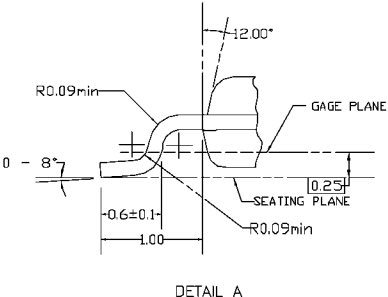


PIN #1 IDENT.

LAND PATTERN RECOMMENDATION



DIMENSIONS ARE IN MILLIMETERS



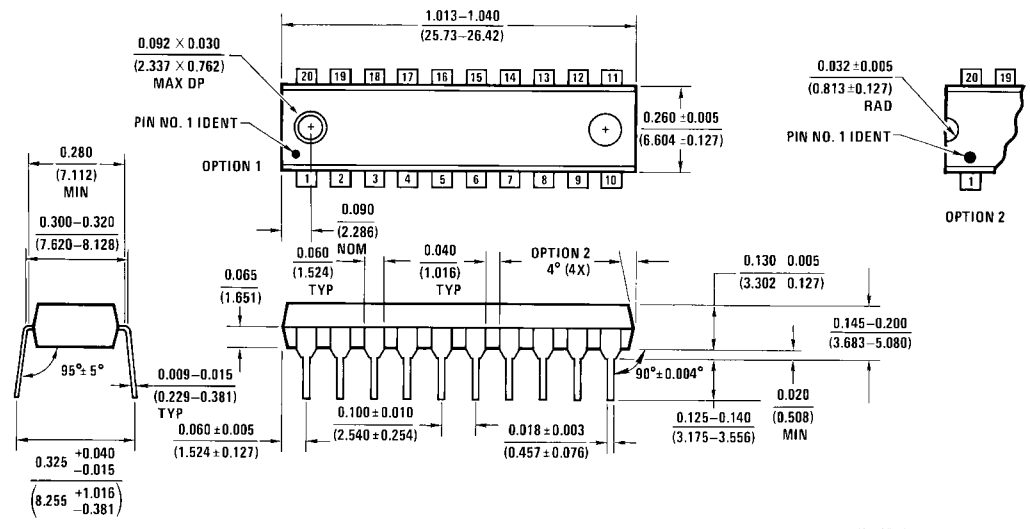
- NOTES:
- A. CONFORMS TO JEDEC REGISTRATION MO-153, VARIATION AC, REF NOTE 6, DATE 7/93.
  - B. DIMENSIONS ARE IN MILLIMETERS.
  - C. DIMENSIONS ARE EXCLUSIVE OF BURRS, MOLDS FLASH, AND TIE BAR EXTRUSIONS.
  - D. DIMENSIONS AND TOLERANCES PER ANSI Y14.5M, 1982.

MTC20REVD1

**20-Lead Thin Shrink Small Outline Package (TSSOP), JEDEC MO-153, 4.4mm Wide Package Number MTC20**



**Physical Dimensions** inches (millimeters) unless otherwise noted (Continued)



20-Lead Plastic Dual-In-Line Package (PDIP), JEDEC MS-001, 0.300" Wide  
Package Number N20A

N20A (REV G)

Fairchild does not assume any responsibility for use of any circuitry described, no circuit patent licenses are implied and Fairchild reserves the right at any time without notice to change said circuitry and specifications.

**LIFE SUPPORT POLICY**

FAIRCHILD'S PRODUCTS ARE NOT AUTHORIZED FOR USE AS CRITICAL COMPONENTS IN LIFE SUPPORT DEVICES OR SYSTEMS WITHOUT THE EXPRESS WRITTEN APPROVAL OF THE PRESIDENT OF FAIRCHILD SEMICONDUCTOR CORPORATION. As used herein:

1. Life support devices or systems are devices or systems which, (a) are intended for surgical implant into the body, or (b) support or sustain life, and (c) whose failure to perform when properly used in accordance with instructions for use provided in the labeling, can be reasonably expected to result in a significant injury to the user.
2. A critical component in any component of a life support device or system whose failure to perform can be reasonably expected to cause the failure of the life support device or system, or to affect its safety or effectiveness.

[www.fairchildsemi.com](http://www.fairchildsemi.com)

ON Semiconductor and  are trademarks of Semiconductor Components Industries, LLC dba ON Semiconductor or its subsidiaries in the United States and/or other countries. ON Semiconductor owns the rights to a number of patents, trademarks, copyrights, trade secrets, and other intellectual property. A listing of ON Semiconductor's product/patent coverage may be accessed at [www.onsemi.com/site/pdf/Patent-Marking.pdf](http://www.onsemi.com/site/pdf/Patent-Marking.pdf). ON Semiconductor reserves the right to make changes without further notice to any products herein. ON Semiconductor makes no warranty, representation or guarantee regarding the suitability of its products for any particular purpose, nor does ON Semiconductor assume any liability arising out of the application or use of any product or circuit, and specifically disclaims any and all liability, including without limitation special, consequential or incidental damages. Buyer is responsible for its products and applications using ON Semiconductor products, including compliance with all laws, regulations and safety requirements or standards, regardless of any support or applications information provided by ON Semiconductor. "Typical" parameters which may be provided in ON Semiconductor data sheets and/or specifications can and do vary in different applications and actual performance may vary over time. All operating parameters, including "Typicals" must be validated for each customer application by customer's technical experts. ON Semiconductor does not convey any license under its patent rights nor the rights of others. ON Semiconductor products are not designed, intended, or authorized for use as a critical component in life support systems or any FDA Class 3 medical devices or medical devices with a same or similar classification in a foreign jurisdiction or any devices intended for implantation in the human body. Should Buyer purchase or use ON Semiconductor products for any such unintended or unauthorized application, Buyer shall indemnify and hold ON Semiconductor and its officers, employees, subsidiaries, affiliates, and distributors harmless against all claims, costs, damages, and expenses, and reasonable attorney fees arising out of, directly or indirectly, any claim of personal injury or death associated with such unintended or unauthorized use, even if such claim alleges that ON Semiconductor was negligent regarding the design or manufacture of the part. ON Semiconductor is an Equal Opportunity/Affirmative Action Employer. This literature is subject to all applicable copyright laws and is not for resale in any manner.

## PUBLICATION ORDERING INFORMATION

### LITERATURE FULFILLMENT:

Literature Distribution Center for ON Semiconductor  
19521 E. 32nd Pkwy, Aurora, Colorado 80011 USA  
**Phone:** 303-675-2175 or 800-344-3860 Toll Free USA/Canada  
**Fax:** 303-675-2176 or 800-344-3867 Toll Free USA/Canada  
**Email:** [orderlit@onsemi.com](mailto:orderlit@onsemi.com)

**N. American Technical Support:** 800-282-9855 Toll Free  
USA/Canada  
**Europe, Middle East and Africa Technical Support:**  
Phone: 421 33 790 2910  
**Japan Customer Focus Center**  
Phone: 81-3-5817-1050

**ON Semiconductor Website:** [www.onsemi.com](http://www.onsemi.com)  
**Order Literature:** <http://www.onsemi.com/orderlit>  
For additional information, please contact your local  
Sales Representative