

**PLEASE CHECK WWW.MOLEX.COM FOR LATEST PART INFORMATION**

**Part Number:** **0441331800**  
**Status:** **Active**  
**Overview:** Micro-Fit 3.0™ Connectors  
**Description:** Micro-Fit BMI™ Receptacle Housing, Dual Row, Panel Mount, 18 Circuits, PBT Polyester, UL 94V-0

**Documents:**

<a href="#">3D Model</a>	<a href="#">Product Specification TS-43045-002-001 (PDF)</a>
<a href="#">Drawing (PDF)</a>	<a href="#">Product Specification TS-46235-001-001 (PDF)</a>
<a href="#">Product Specification PS-44300-001 (PDF)</a>	<a href="#">RoHS Certificate of Compliance (PDF)</a>
<a href="#">Product Specification TS-43045-001-001 (PDF)</a>	<a href="#">Product Literature (PDF)</a>

**Agency Certification**

CSA	LR19980
UL	E29179

**General**

Product Family	Crimp Housings
Series	<a href="#">44133</a>
Application	Power, Wire-to-Board, Wire-to-Wire
Overview	<a href="#">Micro-Fit 3.0™ Connectors</a>
Product Literature Order No	987650-5984
Product Name	Micro-Fit BMI™
UPC	800753286252

**Physical**

Circuits (maximum)	18
Color - Resin	Black
Flammability	94V-0
Gender	Female
Glow-Wire Compliant	No
Lock to Mating Part	No
Material - Resin	Polyester
Net Weight	3.760/g
Number of Rows	2
Packaging Type	Bag
Panel Mount	Yes
Pitch - Mating Interface	3.00mm
Polarized to Mating Part	Yes
Stackable	No
Temperature Range - Operating	-40°C to +105°C

**Electrical**

Current - Maximum per Contact	5.0A
-------------------------------	------

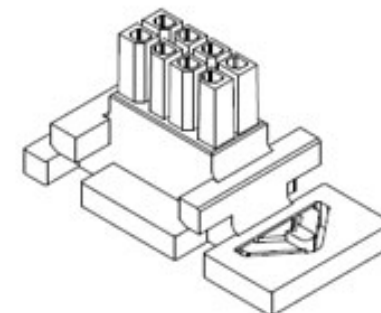
**Solder Process Data**

Lead-free Process Capability	N/A
------------------------------	-----

**Material Info**

**Reference - Drawing Numbers**

Product Specification	PS-44300-001, TS-43045-001-001, TS-43045-002-001, TS-46235-001-001
Sales Drawing	SD-44133-001



Series image - Reference only

**EU ELV**

**Not Relevant**

**EU RoHS**

**Compliant**

**REACH SVHC**

Not Contained Per - ED/21/2016 (20 June 2016)

**Halogen-Free**

**Status**

**Not Low-Halogen**

**Need more information on product environmental compliance?**

Email [productcompliance@molex.com](mailto:productcompliance@molex.com)  
Please visit the [Contact Us](#) section for any non-product compliance questions.

China ROHS	Green Image
ELV	Not Relevant
RoHS Phthalates	Not Contained

**Search Parts in this Series**

[44133](#) Series

**Mates With**

[44300-1800](#) Panel Mount Plug, [44432](#) Micro-Fit 3.0 BMI Vertical 18 Circuit Headers, [44428](#) Micro-Fit 3.0 BMI Right Angle 18 Circuit Headers, [45280](#) Micro-Fit 3.0 BMI CPI™ Vertical 18 Circuit Headers

**Use With**

[43030](#) , [Link45773](#) Micro-Fit 3.0™ Female Crimp Terminals, [46235](#) Micro-Fit RMF™ Female Crimp Terminals

**PLEASE CHECK [WWW.MOLEX.COM](http://WWW.MOLEX.COM) FOR LATEST PART INFORMATION**