

PLEASE CHECK WWW.MOLEX.COM FOR LATEST PART INFORMATION

Part Number: **0502128100**
Status: **Active**
Description: 2.00mm Pitch Crimp Terminal, Female, 24-30 AWG, Bag

Documents:

3D Model	Product Specification PS-51090-018-001 (PDF)
Drawing (PDF)	Product Specification PS-51160-001 (PDF)
Product Specification PS-51065-005 (PDF)	Product Specification PS-51160-006-001 (PDF)
Product Specification PS-51065-016-001 (PDF)	Product Specification PS-51225-003-001 (PDF)
Product Specification PS-51065-017-001 (PDF)	Product Specification PS-52968-006-001 (PDF)
Product Specification PS-51065-018-001 (PDF)	Product Specification PS-52968-007-001 (PDF)
Product Specification PS-51089-001 (PDF)	Product Specification PS-53717-002-001 (PDF)
Product Specification PS-51089-005-001 (PDF)	Product Specification PS-54111-002-001 (PDF)
Product Specification PS-51090-003 (PDF)	Product Specification PS-54214-001 (PDF)
Product Specification PS-51090-004-001 (PDF)	Product Specification PS-54452-007-001 (PDF)
Product Specification PS-51090-005-001 (PDF)	Product Specification PS-55533-004-001 (PDF)
Product Specification PS-51090-009 (PDF)	Application Specification 510900001-000 (PDF)
Product Specification PS-51090-016-001 (PDF)	Packaging Specification SPK-50212-001-001 (PDF)
Product Specification PS-51090-017-001 (PDF)	RoHS Certificate of Compliance (PDF)

General

Product Family	Crimp Terminals
Series	50212
Application	Signal
Crimp Quality Equipment	Yes
MolexKits	Yes
Packaging Alternative	50212-8000 (Reel)
Product Name	DuraClik™, Mi II™, Micro-Latch™, Sherlock™
UPC	800754369473

Physical

Gender	Female
Material - Metal	Phosphor Bronze
Material - Plating Mating	Tin
Material - Plating Termination	Tin
Net Weight	20.400/mg
Packaging Type	Bag
Termination Interface: Style	Crimp or Compression
Wire Insulation Diameter	1.40mm max.
Wire Size AWG	24, 26, 28, 30
Wire Size mm ²	N/A

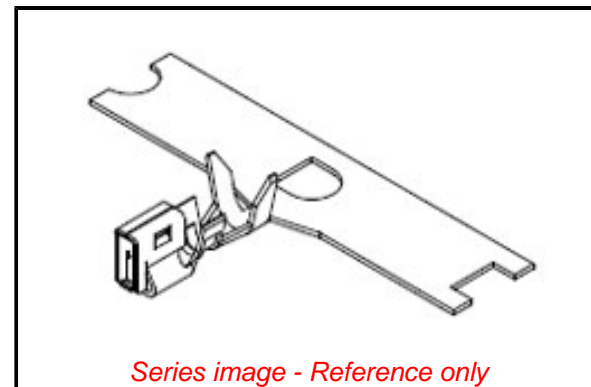
Electrical

Current - Maximum per Contact	2.0A
Voltage - Maximum	125V

Material Info

Reference - Drawing Numbers

Application Specification	510900001-000
Crimp Specification	CS-50212
Packaging Specification	SPK-50212-001-001
Product Specification	PS-51065-005, PS-51065-016-001, PS-51065-017-001, PS-51065-018-001, PS-51089-001, PS-51089-005-001, PS-51090-003, PS-51090-004-001, PS-51090-005-001, PS-51090-009, PS-51090-016-001, PS-51090-017-001, PS-51090-018-001, PS-51160-001, PS-51160-006-001, PS-51225-003-001, PS-52968-006-001,



EU ELV

Not Relevant

EU RoHS

Compliant

China RoHS

REACH SVHC

Not Contained Per -
ED/21/2016 (20 June
2016)

Halogen-Free

Status

Low-Halogen

Need more information on product environmental compliance?

Email productcompliance@molex.com
Please visit the [Contact Us](#) section for any non-product compliance questions.

China ROHS	Green Image
ELV	Not Relevant
RoHS Phthalates	Not Contained

Search Parts in this Series

50212 Series

Use With

DuraClik™ Receptacle Housing 502351

Micro-Latch™ Receptacle Housing 51065
Mi II™ Receptacle Housings 51089 , 51090

Sales Drawing

PS-52968-007-001, PS-53717-002-001,
PS-54111-002-001, PS-54214-001, PS-54452-007-001,
PS-55533-004-001
SD-50212-001

This document was generated on 12/27/2016

PLEASE CHECK WWW.MOLEX.COM FOR LATEST PART INFORMATION