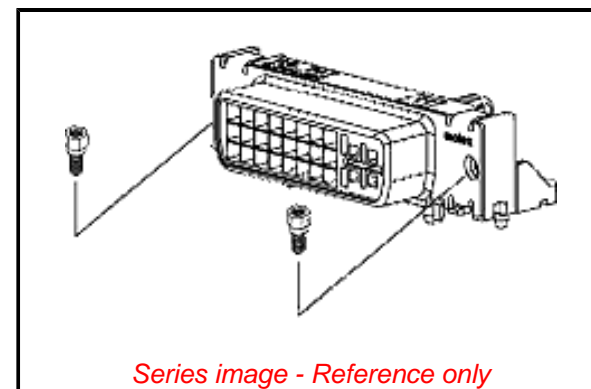


PLEASE CHECK WWW.MOLEX.COM FOR LATEST PART INFORMATION

Part Number: **0743201004**
Status: **Active**
Overview: MicroCross™ DVI Connectors and Cable Assemblies
Description: MicroCross™ DVI-I Digital/Analog Visual Interface, PCB Receptacle, Panel Mount, Through Hole, Right Angle, Gold (Au) Flash Plating, Screw Hole, 4-40 Thread, 2.34mm PC Tail Length, 29 Circuits, Lead-Free

Documents:

[Drawing \(PDF\)](#) [Test Summary TS-74320-001 \(PDF\)](#)
[Product Specification PS-74320-001 \(PDF\)](#) [RoHS Certificate of Compliance \(PDF\)](#)
[Packaging Specification PK-74320-010 \(PDF\)](#)



Agency Certification

UL E29179

General

Product Family I/O Connectors
 Series 74320
 Application Wire-to-Board
 Comments DDWG (Digital Display Working Group) Standard
 Component Type Receptacle
 Overview MicroCross™ DVI Connectors and Cable Assemblies
 Product Name MicroCross™DVI
 Type N/A
 UPC 800753526495

Physical

Boot Color N/A
 Circuits (Loaded) 29
 Circuits (maximum) 29
 Color - Resin Natural
 Durability (mating cycles max) 100
 Flammability 94V-0
 Gender Receptacle
 Keying to Mating Part Yes
 Lock to Mating Part Yes
 Material - Metal Copper Alloy
 Material - Plating Mating Gold
 Material - Plating Termination Tin
 Net Weight 6.935/g
 Number of Rows 3
 Orientation Right Angle
 PC Tail Length 2.34mm
 PCB Locator Yes
 PCB Retention Yes
 Packaging Type Tray
 Panel Mount Yes
 Pitch - Mating Interface 1.90mm
 Pitch - Termination Interface 1.90mm
 Plating min - Mating 0.051µm
 Plating min - Termination 2.540µm
 Polarized to Mating Part Yes
 Polarized to PCB Yes
 Ports 1
 Surface Mount Compatible (SMC) No
 Temperature Range - Operating -20°C to +85°C
 Termination Interface: Style Through Hole

EU ELV

Not Relevant

EU RoHS

Compliant

REACH SVHC

Not Contained Per -
 ED/21/2016 (20 June
 2016)

Halogen-Free

Status

Low-Halogen

Need more information on product environmental compliance?

Email productcompliance@molex.com
 Please visit the [Contact Us](#) section for any non-product compliance questions.

China ROHS	Green Image
ELV	Not Relevant
RoHS Phthalates	Not Contained

Search Parts in this Series

74320 Series

Mates With

88744 , 74323

Use With

Hex Screw Kit 71781-1000 or 71781-2000

Waterproof / Dustproof	No
Wire Size AWG	N/A
Electrical	
Current - Maximum per Contact	3.0A
Grounding to Panel	Yes
Shield Type	Full Shield
Shielded	Yes
Voltage - Maximum	40V AC (RMS)

Solder Process Data

Lead-free Process Capability	WAVE
------------------------------	------

Material Info**Reference - Drawing Numbers**

Packaging Specification	PK-74320-010
Product Specification	PS-74320-001
Sales Drawing	SD-74320-001-001
Test Summary	TS-74320-001

This document was generated on 12/28/2016

PLEASE CHECK WWW.MOLEX.COM FOR LATEST PART INFORMATION