



SFERNICE / SPECTROL / MCB POSITION SENSORS 248 & 249 General product evolution

DESCRIPTION OF CHANGE:

Product & Packaging change: refer to page 2 for change detail
All other products specifications remain unchanged.

CLASSIFICATION OF CHANGE: Form Fit Function

REASON FOR CHANGE:

Product range Rationalization to avoid obsolescence.

EXPECTED INFLUENCE ON QUALITY/RELIABILITY/PERFORMANCE: refer to page 2

PRODUCT CATEGORY: Resistor, variable

PART NUMBERS/SERIES/FAMILIES AFFECTED: refer to attached PNs list (see Excel file below).

VISHAY BRAND(s): SFERNICE SPECTROL MCB

TIME SCHEDULE:

Start Shipment Date:

W16/17

Last Time Buy Date:

N/A

Last Time Shipment Date:

N/A

SAMPLE AVAILABILITY:

W08/17

PRODUCT IDENTIFICATION: Housing Color (from black to white)

QUALIFICATION DATA: Available on request

This PCN is considered approved, without further notification, unless we receive specific customer concerns before week 13/2017 or as specified by contract.

ISSUED BY: Olivier Laugt / Product Marketing Mgr. Olivier.laugt@vishay.com

For further information, please contact your regional Vishay Sales office.

CHANGE

Product change

<i>Changes</i>	<i>Before</i>	<i>After</i>
Bushing material	Black plastic bushing	Grey Zamak zinc plated
Shaft material	Black plastic shaft	Copper alloy Ni plated
Housing color	Black	White
Max. tightening torque	50 Ncm for 1/4 " bushing, 70 Ncm for 3/8"	150 Ncm
Lead length	6,9 mm	8,5 mm
Stamping	Part number	Variation law & nominal ohmic value
Hardware	Mounted	Not mounted

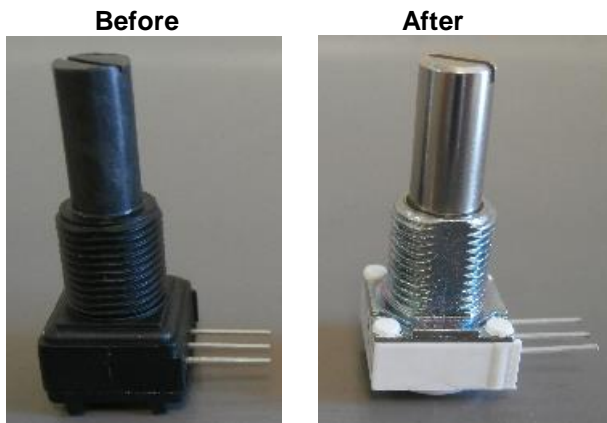
Note

If the customer wish to keep plastic shaft & bushing, please contact us for cross with P11P & P11D potentiometer

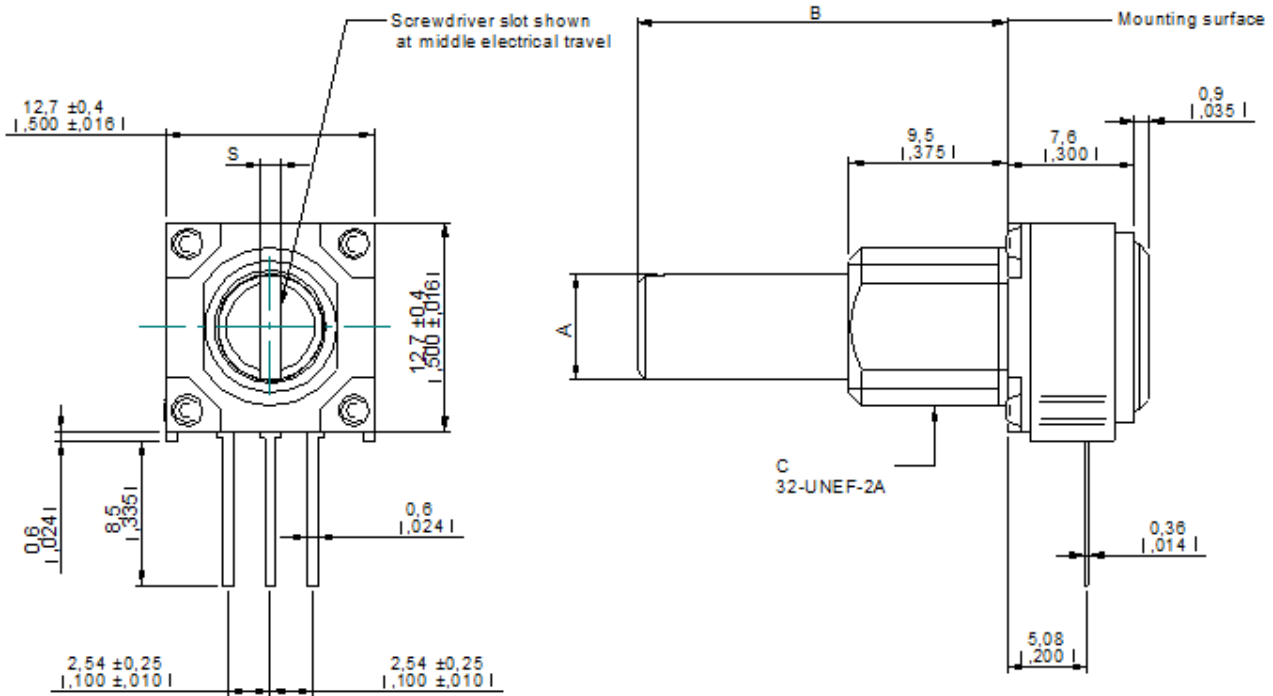
Packaging change

<i>changes</i>	<i>before</i>	<i>after</i>
size of box packaging	height 58mm x width 170mm x length 340mm	height 22mm x width 80mm x length 190mm
quantity per box	50	25

Example



Updated product drawing



	A	B	C	S
Version Bushing / Shaft	Shaft		Bushing	Screwdriver slot
	Ø	L	Ø	Width
B/BH	1/8"	3/4"	1/4"	0,8
F/GJ	1/4"	7/8"	3/8"	1,2