

# 24vdc 500mA 12W European Power Supply

**PowerPax**



This switch mode power supply is rated to 12W maximum, providing a regulated 24vdc output at up to 0.5A with no minimum load. The unit meets Level VI COC Tier 1 efficiency standards. This power supply carries full safety approvals. Short circuit and over current protection is integral.

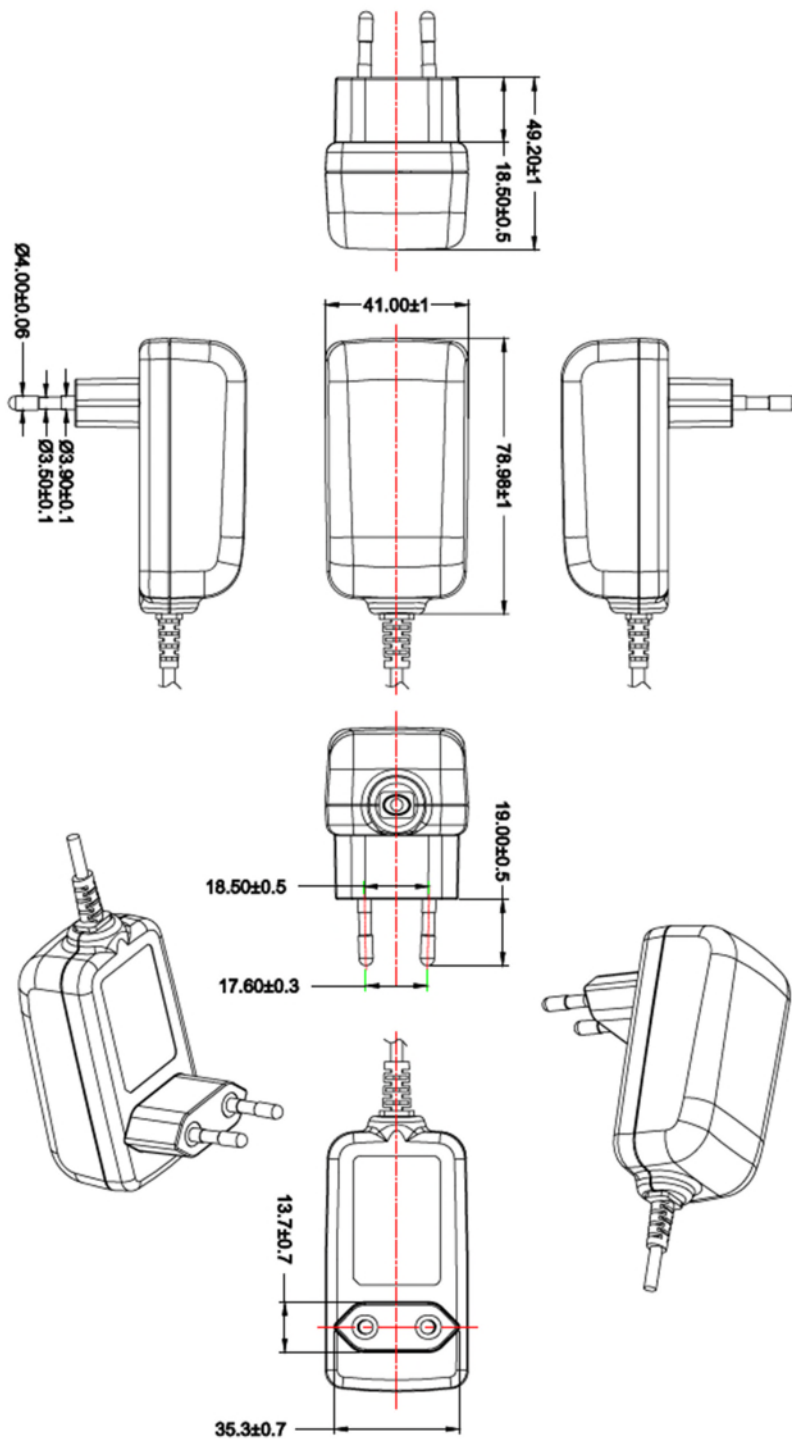
<b>Part Numbers</b>	SW4314-C	<b>Power Consumption (no load)</b>	0.075W max
<b>Output</b>	24vdc 0.5A max. (No min. load)	<b>Input Power (max)</b>	15.17W max
<b>Power</b>	12 Watts	<b>Input Current (RMS Max.)</b>	0.4A max
<b>Line Reg</b>	+/-5% at rated load	<b>Hi-Pot Spec</b>	3000Vac 10mA 1 min. (I.P. to O.P.)
<b>Total Output Regulation</b>	+/-5 % at 0—100% load	<b>Output cable</b>	1.8 Metres 24AWG 2468
<b>Ripple &amp; Noise (mV p-p)</b>	240mV P-P	<b>Operating Temperature</b>	0 to 40 degrees C
<b>Protections</b>	Over Current and Short Circuit	<b>Storage Temperature</b>	-20 to 80 degrees C
<b>Case Size</b>	See Page2	<b>Operating Humidity</b>	10% to 90%
<b>DC Plug</b>	2.1 x 5.5 x 12mm	<b>Safety Approvals</b>	CE,
<b>Polarity</b>	+ve Centre	<b>EMC Standards</b>	EN55022:2010 Class B / FCC Part B
<b>Rated Input Voltage</b>	100-240Vac	<b>MTBF</b>	50K Hours at 25 degrees C
<b>Full Input Voltage Range</b>	90-264Vac	<b>MTBF</b>	50K Hours at 25 degrees C
<b>Rated Frequency</b>	50-60Hz	<b>Plastic Case</b>	UL94V-1
<b>Full Frequency Range</b>	47-63Hz		
<b>Efficiency</b>	Level VI (83.26% minimum)		

Full spec sheet on this PSU is available on request. PowerPax Ltd accepts no responsibility for typographical errors in the production of this leaflet. Product specifications are subject to change without notice



# 24vdc 500mA 12W European Power Supply

**PowerPax**



Full spec sheet on this PSU is available on request. PowerPax Ltd accepts no responsibility for typographical errors in the production of this leaflet. Product specifications are subject to change without notice

