

PLEASE CHECK WWW.MOLEX.COM FOR LATEST PART INFORMATION

Part Number: [5017838009](#)
Status: **Active**
Description: 0.50mm Pitch FFC-to-Board Connector, Plug Jacket, 80 Circuits

Documents:

3D Model	Product Specification PS-501864-001 (PDF)
Drawing (PDF)	Packaging Specification SPK-501783-001 (PDF)
Product Specification PS-501786-001 (PDF)	RoHS Certificate of Compliance (PDF)

General

Product Family	Accessories
Series	501783
Comments	Requires a custom FFC with notches
Component Type	Jacket
Product Name	N/A
UPC	822350228978

Physical

Circuits (Loaded)	80
Color - Resin	Black
Gender	Plug
Material - Resin	Polyester
Net Weight	503.800/mg
Packaging Type	Bag
Polarized to Mating Part	Yes
Temperature Range - Operating	-40°C to +105°C

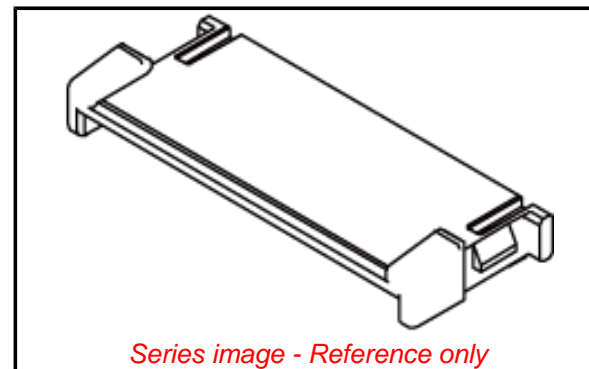
Electrical

Current - Maximum per Contact	0.5A
-------------------------------	------

Material Info

Reference - Drawing Numbers

Packaging Specification	SPK-501783-001
Product Specification	PS-501786-001 , PS-501864-001 , RPS-501786-006 , RPS-501786-014 , RPS-501864-006
Sales Drawing	SD-501783-001



EU ELV

Not Relevant

EU RoHS

Compliant

REACH SVHC

Not Contained Per -
ED/21/2016 (20 June
2016)

Halogen-Free

Status

Not Low-Halogen

**Need more information on product
environmental compliance?**

Email productcompliance@molex.com
Please visit the [Contact Us](#) section for any
non-product compliance questions.

China ROHS

ELV

China RoHS

Green Image

Not Relevant

Search Parts in this Series

[501783](#) Series

Use With

[501786](#) FFC-to-Board Connector, [501864](#)
FFC-to-Board Connector, [501784](#) Plug
Jacket Cover