

PLEASE CHECK WWW.MOLEX.COM FOR LATEST PART INFORMATION

Part Number: [0767639001](#)

Status: **Active**

Overview: [VHDM® H-Series Backplane Connectors](#)

Description: VHDM® H-Series Single-Ended Board-to-Board Backplane Header, 2.00mm Pitch, Vertical, 6-Row, Open End Module, Open Ends Version, 150 Circuits, Pin Length 4.75mm . Series:76764 Enables designers to create custom loaded connectors utilizing standard

Documents:

[3D Model](#)

[Drawing \(PDF\)](#)

[Packaging Specification PK-74057-003 \(PDF\)](#)

[RoHS Certificate of Compliance \(PDF\)](#)

General

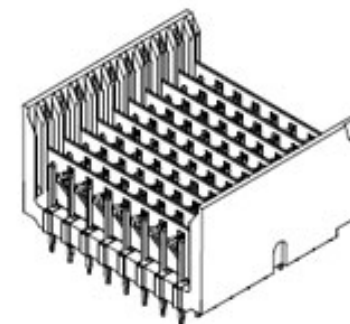
Product Family	Backplane Connectors
Series	76763
Application	Backplane
Application Tooling Documents	TM-622010999
Component Type	PCB Header
Overview	VHDM® H-Series Backplane Connectors
Product Name	VHDM® H-Series
UPC	884982231603

Physical

Circuits (Loaded)	60
Circuits (maximum)	60
Color - Resin	Black
Durability (mating cycles max)	200
First Mate / Last Break	No
Guide to Mating Part	No
Keying to Mating Part	None
Material - Metal	Copper Alloy
Material - Plating Mating	Gold
Material - Plating Termination	Matte Tin
Material - Resin	High Temperature Thermoplastic
Net Weight	5.138/g
Number of Columns	10
Number of Pairs	Open Pin Field
Number of Rows	6
Orientation	Vertical
PC Tail Length	1.83mm
PCB Locator	No
PCB Retention	None
PCB Thickness - Recommended	1.83mm
Packaging Type	Tube
Pitch - Mating Interface	2.00mm
Pitch - Termination Interface	1.00mm
Plating min - Mating	0.762µm
Plating min - Termination	0.762µm
Polarized to PCB	Yes
Stackable	No
Surface Mount Compatible (SMC)	Yes
Temperature Range - Operating	-55°C to +85°C
Termination Interface: Style	Through Hole - Compliant Pin

Electrical

Current - Maximum per Contact	1.0A
Data Rate	6.25 Gbps



Series image - Reference only

EU ELV

Not Relevant

EU RoHS

Compliant

REACH SVHC

Not Contained Per - ED/21/2016 (20 June 2016)

Halogen-Free

Status

Low-Halogen

Need more information on product environmental compliance?

Email productcompliance@molex.com
Please visit the [Contact Us](#) section for any non-product compliance questions.

China ROHS

ELV

Green Image

Not Relevant

Search Parts in this Series

[76763](#) Series

Application Tooling | FAQ

Tooling specifications and manuals are found by selecting the products below. Crimp Height Specifications are then contained in the Application Tooling Specification document.

Global

Description	Product #
6-Row Pin and Shield Repair Tool	0622015800
Insertion Module for Advanced Mate Signal Header, 6-Row by 10-Wide, 20.00mm	0622020207
Signal Pin Inserter Repair Tool	0622015700

Real Signals (per 25mm)	75
Shield Type	Ground Plane Shield
Shielded	Yes
Voltage - Maximum	120V AC (RMS)/DC

6-Row Shield	<u>0622016000</u>
Extraction Tool	

Solder Process Data

Lead-free Process Capability	N/A
------------------------------	-----

Material Info**Reference - Drawing Numbers**

Packaging Specification	PK-74057-003
Sales Drawing	SD-76763-001

Note: HDM, HDM+, VHDM, VHDM-HSD and GbX are trademarks or registered trademarks of Amphenol TCS.

This document was generated on 07/11/2016

PLEASE CHECK WWW.MOLEX.COM FOR LATEST PART INFORMATION