

## Model Number

CJ10-30GK-WO

## Features

- 10 mm non-flush
- The switching distance can be set over a wide range with the potentiometer

## Accessories

### BF 30

Mounting flange, 30 mm

## Technical Data

### General specifications

Switching element function		AC	NC
Rated operating distance	$s_n$	10 mm	
Installation		non-flush	
Output polarity		AC	
Assured operating distance	$s_a$	0 ... 7.2 mm	

### Nominal ratings

Installation conditions			
A		18 mm	
B		10 mm	
C		20 mm	
F		60 mm	
Operating voltage	$U_B$	20 ... 253 V AC <sup>1)</sup>	
Switching frequency	f	0 ... 10 Hz	
Hysteresis	H	2 ... 10 typ. 5 %	
Reverse polarity protection		reverse polarity tolerant	
Voltage drop at $I_L$			
Voltage drop $I_L = 100$ mA, switching element on $U_d$		typ. 7 V	
Momentary current (20 ms, 0.1 Hz)		0 ... 1200 mA	
Rated insulation voltage	$U_{BIS}$	1500 V	
Operating current	$I_L$	5 ... 200 mA	
Lowest operating current	$I_m$	5 mA	
Off-state current	$I_r$	0.7 ... 1.5 mA typ.	
Time delay before availability	$t_v$	≤ 300 ms	
Switching state indicator		LED, yellow	

### Indicators/operating means

Potentiometer	sensitivity adjustment
---------------	------------------------

### Ambient conditions

Ambient temperature	-25 ... 70 °C (-13 ... 158 °F)
Storage temperature	-25 ... 85 °C (-13 ... 185 °F)

### Mechanical specifications

Connection type	cable PVC, 2 m
Core cross-section	0.75 mm <sup>2</sup>
Housing material	PBT
Sensing face	PBT
Degree of protection	IP67
Note	<sup>1)</sup> In the temperature range below 0 °C, permissible operating voltage $U_b$ 80...253 V Safety fuse ≤ 0.8 A (quick-blow) according to IEC 60127-2 Sheet 1 Recommendation: after a short circuit, check that the device is functioning correctly.

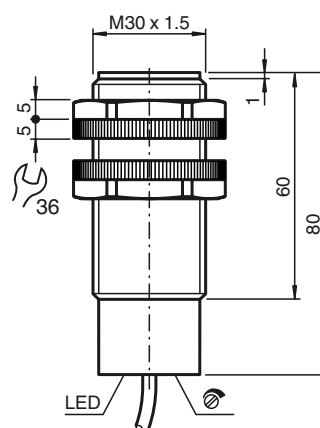
### Compliance with standards and directives

Standard conformity	
Standards	EN 60947-5-2:2007 IEC 60947-5-2:2007

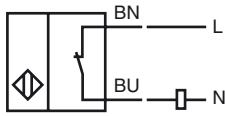
### Approvals and certificates

UL approval	cULus Listed, General Purpose
CSA approval	cCSAus Listed, General Purpose
CCC approval	Certified by China Compulsory Certification (CCC)

## Dimensions



Electrical Connection



Installation Conditions

