

**PLEASE CHECK WWW.MOLEX.COM FOR LATEST PART INFORMATION**

**Part Number:** **0743201000**  
**Status:** **Active**  
**Overview:** MicroCross™ DVI Connectors and Cable Assemblies  
**Description:** MicroCross™ DVI-I Digital/Analog Visual Interface, PCB Receptacle, Through Hole, Right Angle, 2.34mm PC Tail Length, 29 Circuits, Lead-Free

**Documents:**

[Drawing \(PDF\)](#) [Test Summary TS-74320-001 \(PDF\)](#)  
[Product Specification PS-74320-001 \(PDF\)](#) [RoHS Certificate of Compliance \(PDF\)](#)  
[Packaging Specification PK-74320-010 \(PDF\)](#)

**Agency Certification**

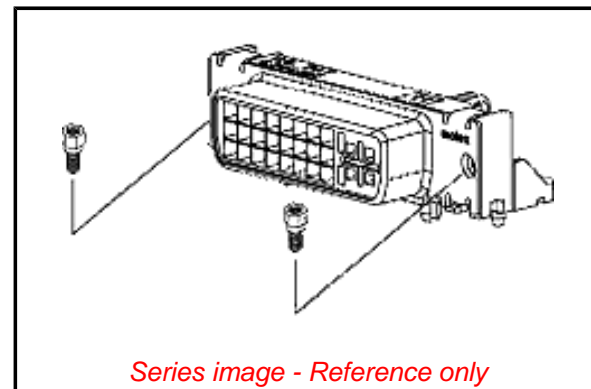
UL E29179

**General**

Product Family I/O Connectors  
Series [74320](#)  
Application Wire-to-Board  
Comments DDWG (Digital Display Working Group) Standard  
Component Type Receptacle  
MolexKits Yes  
Overview [MicroCross™ DVI Connectors and Cable Assemblies](#)  
Product Name MicroCross™DVI  
Type N/A  
UPC 800753526587

**Physical**

Boot Color N/A  
Circuits (Loaded) 29  
Circuits (maximum) 29  
Color - Resin Natural  
Durability (mating cycles max) 100  
Flammability 94V-0  
Gender Receptacle  
Keying to Mating Part Yes  
Lock to Mating Part Yes  
Material - Metal Copper Alloy  
Material - Plating Mating Gold  
Material - Plating Termination Tin  
Net Weight 6.944/g  
Number of Rows 3  
Orientation Right Angle  
PC Tail Length 2.34mm  
PCB Locator Yes  
PCB Retention Yes  
Packaging Type Tray  
Panel Mount Yes  
Pitch - Mating Interface 1.90mm  
Pitch - Termination Interface 1.90mm  
Plating min - Mating 0.762µm  
Plating min - Termination 2.540µm  
Polarized to Mating Part Yes  
Polarized to PCB Yes  
Ports 1  
Surface Mount Compatible (SMC) No  
Temperature Range - Operating -20°C to +85°C  
Termination Interface: Style Through Hole



**EU ELV**

**Not Relevant**

**EU RoHS**

**Compliant**

**REACH SVHC**

Not Contained Per -  
ED/21/2016 (20 June  
2016)

**Halogen-Free**

**Status**

**Not Low-Halogen**

**Need more information on product  
environmental compliance?**

Email [productcompliance@molex.com](mailto:productcompliance@molex.com)  
Please visit the [Contact Us](#) section for any  
non-product compliance questions.

China ROHS

ELV

Green Image

Not Relevant

**Search Parts in this Series**

[74320 Series](#)

**Mates With**

88744 , 74323

**Use With**

Hex Screw Kit [71781-1000](#) or [71781-2000](#)

Waterproof / Dustproof	No
Wire Size AWG	N/A
<b>Electrical</b>	
Current - Maximum per Contact	3.0A
Grounding to Panel	Yes
Shield Type	Full Shield
Shielded	Yes
Voltage - Maximum	40V AC (RMS)

**Solder Process Data**

Duration at Max. Process Temperature (seconds)	010
Lead-free Process Capability	WAVE
Max. Cycles at Max. Process Temperature	001
Process Temperature max. C	260

**Material Info****Reference - Drawing Numbers**

Packaging Specification	PK-74320-010
Product Specification	PS-74320-001
Sales Drawing	SD-74320-001
Test Summary	TS-74320-001

This document was generated on 07/27/2016

**PLEASE CHECK [WWW.MOLEX.COM](http://WWW.MOLEX.COM) FOR LATEST PART INFORMATION**