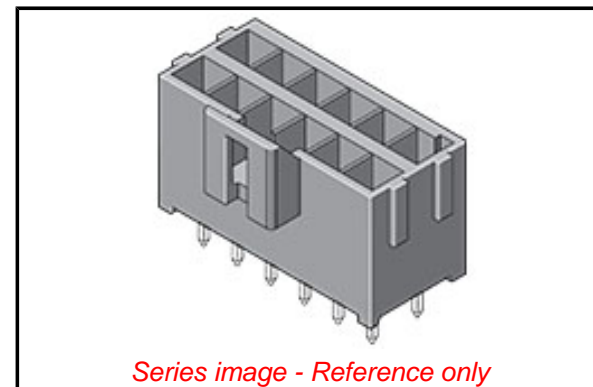


PLEASE CHECK WWW.MOLEX.COM FOR LATEST PART INFORMATION

Part Number: [1722981104](#)
Status: **Active**
Overview: [Ultra-Fit™ Power Connectors](#)
Description: Ultra-Fit™ Vertical Header, 3.50mm Pitch, Dual Row, 4 Circuits, with Kinked Pins, Tin (Sn) Plating, Black, Glow Wire Capable

Documents:

| | |
|--|--|
| 3D Model | Packaging Specification PK-172298-9001 (PDF) |
| Drawing (PDF) | RoHS Certificate of Compliance (PDF) |
| Product Specification PS-172323-0001 (PDF) | Product Literature (PDF) |
| Application Specification AS-172323-0001 (PDF) | |



Agency Certification

| | |
|-----|---------|
| CSA | LR19980 |
| UL | E29179 |

General

| | |
|-----------------------------|---|
| Product Family | PCB Headers |
| Series | 172298 |
| Application | Power, Wire-to-Board |
| Comments | See Product Specification for maximum current rating by circuit size and wire AWG |
| Overview | Ultra-Fit™ Power Connectors |
| Product Literature Order No | 987651-1008 |
| Product Name | Ultra-Fit™ |
| UPC | 887191737119 |

Physical

| | |
|--------------------------------|------------------------|
| Breakaway | No |
| Circuits (Loaded) | 4 |
| Circuits (maximum) | 4 |
| Color - Resin | Black |
| Durability (mating cycles max) | 25 |
| First Mate / Last Break | No |
| Flammability | 94V-0 |
| Glow-Wire Compliant | Yes |
| Guide to Mating Part | No |
| Keying to Mating Part | Yes |
| Lock to Mating Part | Yes |
| Material - Metal | Copper Alloy |
| Material - Plating Mating | Tin over Nickel |
| Material - Plating Termination | Tin over Nickel |
| Material - Resin | Liquid Crystal Polymer |
| Net Weight | 1.132/g |
| Number of Rows | 2 |
| Orientation | Vertical |
| PC Tail Length | 3.20mm |
| PCB Locator | Yes |
| PCB Retention | Yes |
| PCB Thickness - Recommended | 1.60mm |
| Packaging Type | Tray |
| Pitch - Mating Interface | 3.50mm |
| Pitch - Termination Interface | 3.50mm |
| Plating min - Mating | 1.524µm |
| Plating min - Termination | 1.524µm |
| Polarized to Mating Part | Yes |
| Polarized to PCB | Yes |

EU ELV

Not Relevant

EU RoHS

Compliant

REACH SVHC

Not Contained Per - ED/21/2016 (20 June 2016)

Halogen-Free

Status

Low-Halogen

Need more information on product environmental compliance?

Email productcompliance@molex.com
Please visit the [Contact Us](#) section for any non-product compliance questions.

China ROHS

ELV

Green Image

Not Relevant

Search Parts in this Series

[172298](#) Series

Mates With

Ultra-Fit™ Receptacle Housing [172258](#) , [172262](#)

| | |
|--------------------------------|---------------------------|
| Shrouded | Fully |
| Surface Mount Compatible (SMC) | Yes |
| Temperature Range - Operating | -40°C to +120°C |
| Termination Interface: Style | Through Hole - Kinked Pin |

Electrical

| | |
|-------------------------------|------------------|
| Current - Maximum per Contact | 12.0A |
| Voltage - Maximum | 400V AC (RMS)/DC |

Solder Process Data

| | |
|--|------|
| Duration at Max. Process Temperature (seconds) | 090 |
| Lead-free Process Capability | WAVE |
| Max. Cycles at Max. Process Temperature | 002 |
| Process Temperature max. C | 260 |

Material Info**Reference - Drawing Numbers**

| | |
|---------------------------|----------------|
| Application Specification | AS-172323-0001 |
| Packaging Specification | PK-172298-9001 |
| Product Specification | PS-172323-0001 |
| Sales Drawing | SD-172298-1000 |

This document was generated on 08/17/2016

PLEASE CHECK WWW.MOLEX.COM FOR LATEST PART INFORMATION