

**PLEASE CHECK WWW.MOLEX.COM FOR LATEST PART INFORMATION**

**Part Number:** [5011905017](#)  
**Status:** **Active**  
**Overview:** Pico-Clasp™ Wire-to-Board Connectors  
**Description:** 1.00mm Pitch Pico-Clasp™ Wire-to-Board PCB Header, Dual Row, Vertical, 50 Circuits, with Pick-and-Place Tape

**Documents:**

[3D Model](#) [Product Specification 5011890000 \(PDF\)](#)  
[Drawing \(PDF\)](#) [RoHS Certificate of Compliance \(PDF\)](#)

**Agency Certification**

UL E29179

**General**

Product Family PCB Headers  
 Series [501190](#)  
 Application Signal, Wire-to-Board  
 Overview [Pico-Clasp™ Wire-to-Board Connectors](#)  
 Product Name Pico-Clasp™  
 UPC 822348790166

**Physical**

Breakaway No  
 Circuits (Loaded) 50  
 Circuits (maximum) 50  
 Color - Resin Natural  
 Durability (mating cycles max) 30  
 Flammability 94V-0  
 Glow-Wire Compliant No  
 Lock to Mating Part Yes  
 Material - Metal Phosphor Bronze  
 Material - Plating Mating Gold  
 Material - Plating Termination Gold  
 Material - Resin Nylon  
 Net Weight 640.300/mg  
 Number of Rows 2  
 Orientation Vertical  
 PCB Locator No  
 PCB Retention Yes  
 Packaging Type Embossed Tape on Reel  
 Pitch - Mating Interface 1.00mm  
 Polarized to Mating Part Yes  
 Polarized to PCB Yes  
 Robotic Placement Vacuum Pick-Up Tape  
 Stackable No  
 Temperature Range - Operating -40°C to +105°C  
 Termination Interface: Style Surface Mount

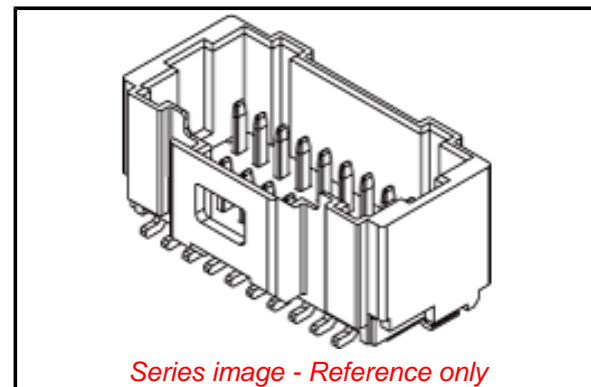
**Electrical**

Current - Maximum per Contact 1.0A  
 Voltage - Maximum 50V

**Material Info**

**Reference - Drawing Numbers**

Product Specification 5011890000  
 Sales Drawing SD-501190-003, SD-501190-004



**EU ELV**

**Not Relevant**

**EU RoHS**

**Compliant**

**China RoHS**

**REACH SVHC**

Not Contained Per -  
 ED/21/2016 (20 June  
 2016)

**Halogen-Free**

**Status**

**Not Low-Halogen**

**Need more information on product  
 environmental compliance?**

Email [productcompliance@molex.com](mailto:productcompliance@molex.com)  
 Please visit the [Contact Us](#) section for any  
 non-product compliance questions.

China ROHS

ELV

Green Image

Not Relevant

**Search Parts in this Series**

[501190 Series](#)

**Mates With**

[501189 Pico-Clasp™ Wire-to-Board Female  
 Housing](#)

This document was generated on 07/28/2016

**PLEASE CHECK [WWW.MOLEX.COM](http://WWW.MOLEX.COM) FOR LATEST PART INFORMATION**