

**PLEASE CHECK WWW.MOLEX.COM FOR LATEST PART INFORMATION**

**Part Number:** **5016481000**  
**Status:** **Active**  
**Overview:** iGrid™ Wire-to-Board Dual-Row System  
**Description:** 2.00mm Pitch iGrid™ Wire-to-Board Crimp Terminal, Female, 26-28 AWG, Reel

**Documents:**

[3D Model](#) [RoHS Certificate of Compliance \(PDF\)](#)  
[Drawing \(PDF\)](#)

**General**

Product Family	Crimp Terminals
Series	<a href="#">501648</a>
Application	Signal
Crimp Quality Equipment	Yes
Overview	<a href="#">iGrid™ Wire-to-Board Dual-Row System</a>
Product Name	iGrid™
UPC	822350357470

**Physical**

Durability (mating cycles max)	30
Gender	Female
Material - Metal	Copper Alloy
Material - Plating Mating	Tin
Net Weight	76.000/mg
Packaging Type	Reel
Termination Interface: Style	Crimp or Compression
Wire Insulation Diameter	0.85-1.40mm
Wire Size AWG	26, 28
Wire Size mm²	0.079-0.136

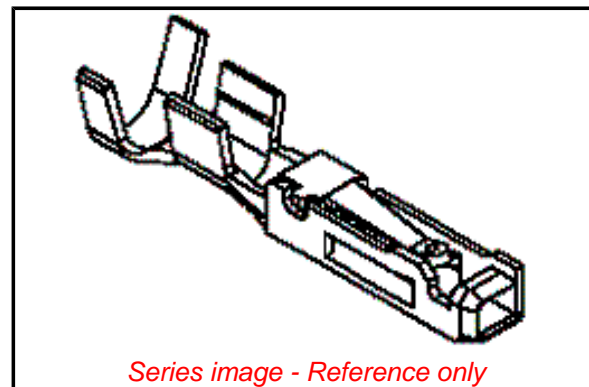
**Electrical**

Current - Maximum per Contact	1.5A
Voltage - Maximum	250V AC (RMS)/DC

**Material Info**

**Reference - Drawing Numbers**

Sales Drawing	SD-501648-001
---------------	---------------



**EU ELV**

**Not Relevant**

**EU RoHS**

**Compliant**

**REACH SVHC**

Not Contained Per -  
ED/21/2016 (20 June  
2016)

**Halogen-Free**

**Status**

**Low-Halogen**

**Need more information on product environmental compliance?**

Email [productcompliance@molex.com](mailto:productcompliance@molex.com)  
Please visit the [Contact Us](#) section for any non-product compliance questions.

China ROHS  
ELV

**China RoHS**

Green Image  
Not Relevant

**Search Parts in this Series**

[501648](#) Series

**Mates With**

[501645](#) Vertical Header . [501676](#) Right Angle Header

**Use With**

[501646](#) Receptacle Housing

**Application Tooling | FAQ**

*Tooling specifications and manuals are found by selecting the products below. Crimp Height Specifications are then contained in the Application Tooling Specification document.*

**Global**

Description	Product #
Manual Extraction Tool	<a href="#">0638131500</a>
Extraction Tool	<a href="#">0638132700</a>

Hand Crimp Tool for 2.00mm Pitch Wire-to-Board Crimp Terminals, 26-28 AWG Wire	<u>0638192400</u>
T2 Terminator	<u>0638518100</u>
Tooling Die FineAdjust™	<u>0638618100</u>
Applicator	

**Japan**

<b>Description</b>	<b>Product #</b>
Applicator for M21 1A Bench Press, 22-26 AWG Wire	<u>5780213000</u>
Side-Feed Applicator for Fully-Auto Machine, 22-26 AWG Wire	<u>5780213200</u>
Hand Crimp Tool - Straight Action	<u>5780215400</u>

This document was generated on 07/08/2016

**PLEASE CHECK [WWW.MOLEX.COM](http://WWW.MOLEX.COM) FOR LATEST PART INFORMATION**