

**PLEASE CHECK WWW.MOLEX.COM FOR LATEST PART INFORMATION**

**Part Number:** [5023810000](#)  
**Status:** **Active**  
**Overview:** [IllumiMate™ Connector System](#)  
**Description:** CLIK-Mate™ and IllumiMate™ 1.25mm Pitch Wire-to-Board Crimp Terminal, Tin Plating, Reel

**Documents:**

[3D Model](#) [RoHS Certificate of Compliance \(PDF\)](#)  
[Drawing \(PDF\)](#)

**General**

Product Family	Crimp Terminals
Series	<a href="#">502381</a>
Application	Signal
Crimp Quality Equipment	Yes
MolexKits	Yes
Overview	<a href="#">IllumiMate™ Connector System</a>
Product Name	CLIK-Mate™, IllumiMate™
UPC	822350895187

**Physical**

Durability (mating cycles max)	30
Gender	Plug
Material - Metal	Copper Alloy
Material - Plating Mating	Tin over Nickel
Material - Plating Termination	Tin over Nickel
Net Weight	14.300/mg
Packaging Type	Reel
Plating min - Mating	0.406µm
Termination Interface: Style	Crimp or Compression
Wire Insulation Diameter	0.80-1.0mm
Wire Size AWG	26, 28
Wire Size mm²	0.08-0.13

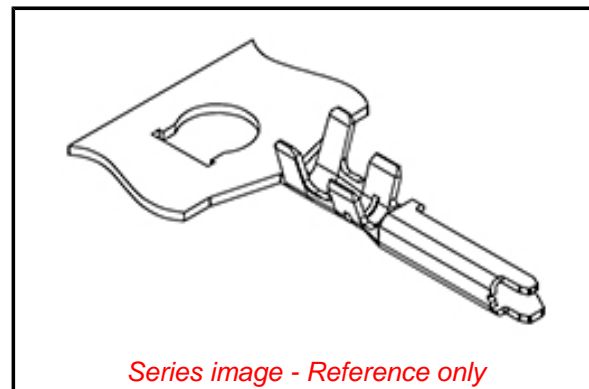
**Electrical**

Current - Maximum per Contact	1.0A
Voltage - Maximum	50V AC (RMS)/DC

**Material Info**

**Reference - Drawing Numbers**

Sales Drawing	SD-502381-001
---------------	---------------



*Series image - Reference only*

**EU ELV**

**Not Relevant**

**EU RoHS**

**Compliant**

**REACH SVHC**

Not Contained Per -  
ED/21/2016 (20 June  
2016)

**Halogen-Free**

**Status**

**Low-Halogen**

**Need more information on product environmental compliance?**

Email [productcompliance@molex.com](mailto:productcompliance@molex.com)  
Please visit the [Contact Us](#) section for any non-product compliance questions.

China ROHS  
ELV

Green Image  
Not Relevant

**Search Parts in this Series**

[502381](#) Series

**Use With**

[502380](#) CLIK-Mate™ Housing, [104105](#) Illuminate Housing, [104099](#) HDR Housing

**Application Tooling | FAQ**

*Tooling specifications and manuals are found by selecting the products below. Crimp Height Specifications are then contained in the Application Tooling Specification document.*

**Global**

Description	Product #
Extraction Tool	<a href="#">0638132700</a>
Hand Tool for 1.25mm Wire-to-Board Crimp Terminal, 26-28 AWG Wire	<a href="#">0638194400</a>

FineAdjust™ Applicator for 1.25mm Pitch Wire- to-Board Connector Dual Plug Terminals, 26-28 AWG	<u>0639006600</u>
T2 Terminator Tooling Die for 1.25mm Pitch Wire- to-Board Connector Dual Plug Terminals, 26-28 AWG	<u>0639106600</u>
<b>Japan</b>	
<b>Description</b>	<b>Product #</b>
Applicator for M21 1A Bench Press, 26-28 AWG Wire	<u>5780343000</u>

This document was generated on 07/08/2016

**PLEASE CHECK [WWW.MOLEX.COM](http://WWW.MOLEX.COM) FOR LATEST PART INFORMATION**