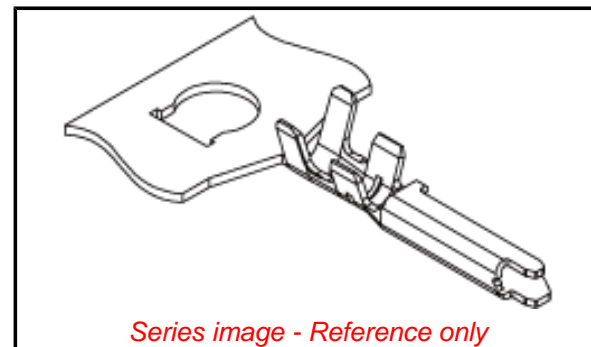


PLEASE CHECK WWW.MOLEX.COM FOR LATEST PART INFORMATION

Part Number: **5024380000**
Status: **Active**
Overview: CLIK-Mate™ Wire-to-Board Connectors
Description: 2.00mm Pitch CLIK-Mate™ Wire-to-Board Crimp Terminal, Reel

Documents:

3D Model	Application Specification AS-502439-001 (PDF)
Drawing (PDF)	Application Specification AS-502439-002 (PDF)
Product Specification 5024430000 (PDF)	Packaging Specification SPK-502438-001 (PDF)
Product Specification 5024431570 (PDF)	RoHS Certificate of Compliance (PDF)



General

Product Family	Crimp Terminals
Series	<u>502438</u>
Application	Signal
Crimp Quality Equipment	Yes
Overview	<u>CLIK-Mate™ Wire-to-Board Connectors</u>
Packaging Alternative	<u>502438-0100 (Loose)</u>
Product Name	CLIK-Mate™
UPC	822350909778

Physical

Durability (mating cycles max)	30
Gender	Male
Material - Metal	Copper Alloy
Material - Plating Mating	Tin
Material - Plating Termination	Tin
Net Weight	41.500/mg
Packaging Type	Reel
Termination Interface: Style	Crimp or Compression
Wire Insulation Diameter	0.90-1.5mm
Wire Size AWG	22, 24, 26
Wire Size mm²	N/A

Electrical

Current - Maximum per Contact	3.0A
Voltage - Maximum	250V AC (RMS)/DC

Material Info

Reference - Drawing Numbers

Application Specification	AS-502439-001, AS-502439-002
Crimp Specification	CS-502438-001
Packaging Specification	SPK-502438-001
Product Specification	5024430000, 5024431570, RPS-502443-001, RPS-502443-002, RPS-502443-004, RPS-502443-005, RPS-502443-007, RPS-502443-008, RPS-502443-009, RPS-502443-010, RPS-502443-012, RPS-502494-001, RPS-502494-002, RPS-502494-003
Sales Drawing	SD-502438-001

EU ELV

Not Relevant

EU RoHS

Compliant

China RoHS

REACH SVHC

Not Contained Per -
ED/21/2016 (20 June
2016)

Halogen-Free

Status

Low-Halogen

**Need more information on product
environmental compliance?**

Email productcompliance@molex.com
Please visit the [Contact Us](#) section for any
non-product compliance questions.

China ROHS
ELV

Green Image
Not Relevant

Search Parts in this Series

502438 Series

Mates With

502443 PCB Receptacle, 502494 PCB
Receptacle

Use With

502439 Crimp Housing

Application Tooling | FAQ

*Tooling specifications and manuals are
found by selecting the products below.
Crimp Height Specifications are then
contained in the Application Tooling
Specification document.*

Global

Description	Product #
Extraction Tool	<u>0638132700</u>
Hand Crimp Tool for 2.00mm Pitch Wire-to-Board Crimp	<u>0638192800</u>

Terminals, 22-26 AWG Wire FineAdjust™ Applicator for 2.00mm Pitch Crimp Terminal, 22-26 AWG	<u>0639007700</u>
T2 Terminator Tooling Die for 2.00mm Crimp Terminal, 22-26 AWG	<u>0639107700</u>

This document was generated on 08/03/2016

PLEASE CHECK WWW.MOLEX.COM FOR LATEST PART INFORMATION