

**PLEASE CHECK WWW.MOLEX.COM FOR LATEST PART INFORMATION**

**Part Number:** [0538565070](#)  
**Status:** **Active**  
**Overview:** CompactFlash™  
**Description:** 1.27mm Pitch CF Card Header - Right Angle, Surface Mount Top Mounting For Type I Cards, Tray Packaging

**Documents:**

[3D Model](#) [RoHS Certificate of Compliance \(PDF\)](#)  
[Drawing \(PDF\)](#)

**General**

Product Family	Memory Card Sockets
Series	<a href="#">53856</a>
Material - Contact	Copper Alloy
Overview	<a href="#">CompactFlash™</a>
Product Name	CompactFlash
Style	Guide and Holder
UPC	822348225514

**Physical**

Card Detection Switch	N/A
Card Entry Location	Front
Circuits (Loaded)	50
Durability (mating cycles max)	10000
Ejector Button Side	N/A
Material - Plating Mating	Gold over Nickel
Material - Plating Termination	Tin
Net Weight	3271.900/mg
PCB Retention	Yes
Packaging Type	Tray
Pitch - Mating Interface	1.27mm
Temperature Range - Operating	-20°C to +90°C
Termination Interface: Style	Surface Mount

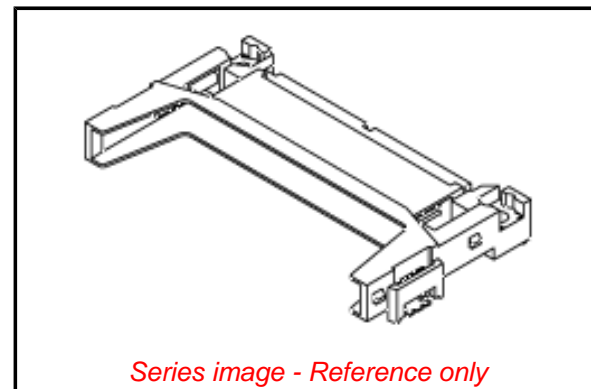
**Electrical**

Current - Maximum per Contact	0.5A
Voltage - Maximum	100V AC (RMS)
Voltage Key	3.3V, 5.0V

**Material Info**

**Reference - Drawing Numbers**

Sales Drawing	SD-53856-007
---------------	--------------



**EU ELV**

**Not Relevant**

**EU RoHS**

**Compliant**

**REACH SVHC**

Not Contained Per -  
ED/21/2016 (20 June  
2016)

**Halogen-Free**

**Status**

**Low-Halogen**

**Need more information on product  
environmental compliance?**

Email [productcompliance@molex.com](mailto:productcompliance@molex.com)  
Please visit the [Contact Us](#) section for any  
non-product compliance questions.

China ROHS  
ELV

Green Image  
Not Relevant

**Search Parts in this Series**

[53856 Series](#)

**Mates With**

Industry Standard CF Card

**Use With**

[55021](#) , [55022](#)