

**PLEASE CHECK WWW.MOLEX.COM FOR LATEST PART INFORMATION**

**Part Number:** [0496160711](#)  
**Status:** **Active**  
**Overview:** HSAutoLink™ Interconnect Systems  
**Description:** 0.80mm Pitch HSAutoLink™ Right Angle Header, Through Hole, 5 Circuit, Type A, Black USB

**Documents:**

[3D Model](#) [Product Specification PS-49616-001 \(PDF\)](#)  
[Drawing \(PDF\)](#) [RoHS Certificate of Compliance \(PDF\)](#)

**General**

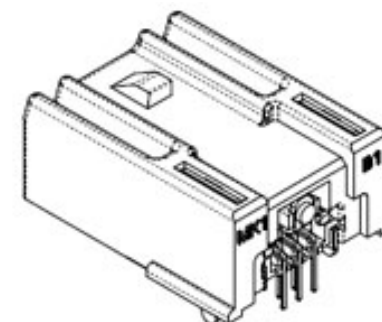
Product Family	PCB Headers
Series	49616
Application	Signal, Wire-to-Board
Comments	Higher current rating achievable, please contact PM for additional technical information.
Overview	<a href="#">HSAutoLink™ Interconnect Systems</a>
Product Name	HSAutoLink™
UPC	883906124670

**Physical**

Breakaway	No
Circuits (Loaded)	5
Circuits (maximum)	5
Color - Resin	Black
Durability (mating cycles max)	25
First Mate / Last Break	No
Glow-Wire Compliant	No
Guide to Mating Part	No
Keying to Mating Part	None
Lock to Mating Part	Yes
Material - Metal	Copper Alloy
Material - Plating Mating	Gold
Material - Plating Termination	Tin
Material - Resin	High Temperature Thermoplastic
Net Weight	3713.790/mg
Number of Rows	1
Orientation	Right Angle
PCB Locator	Yes
PCB Retention	Yes
PCB Thickness - Recommended	1.60mm
Packaging Type	Tray
Pitch - Mating Interface	0.80mm
Pitch - Termination Interface	0.80mm
Plating min - Mating	0.762µm
Plating min - Termination	3.810µm
Polarized to Mating Part	Yes
Polarized to PCB	Yes
Shrouded	No
Stackable	No
Temperature Range - Operating	-40°C to +85°C
Termination Interface: Style	Through Hole

**Electrical**

Current - Maximum per Contact	1.0A
Voltage - Maximum	5V (RMS)



*Series image - Reference only*

**EU ELV**

**Compliant**

**EU RoHS**

**Compliant**

**REACH SVHC**

Not Contained Per -  
ED/21/2016 (20 June  
2016)

**Halogen-Free**

**Status**

**Low-Halogen**

**Need more information on product environmental compliance?**

Email [productcompliance@molex.com](mailto:productcompliance@molex.com)  
Please visit the [Contact Us](#) section for any non-product compliance questions.

China ROHS  
ELV

Green Image  
Compliant

**Search Parts in this Series**

[49616 Series](#)

**Mates With**

[HS AutoLink™ Cable Assembly 111014](#)  
, [111015](#) , [111005](#) , [111041](#) , [111019](#) ,  
[111020](#)

**Material Info**

**Reference - Drawing Numbers**

Product Specification

Sales Drawing

PS-49616-001

SD-49616-001

This document was generated on 07/08/2016

**PLEASE CHECK [WWW.MOLEX.COM](http://WWW.MOLEX.COM) FOR LATEST PART INFORMATION**