

PLEASE CHECK WWW.MOLEX.COM FOR LATEST PART INFORMATION

Part Number: [5019301100](#)
Status: **Active**
Overview: [Duo-Clasp™ Wire-to-Board System](#)
Description: 1.25mm Pitch Duo-Clasp™ Wire-to-Board Crimp Terminal, Reel

Documents:

[Drawing \(PDF\)](#) [RoHS Certificate of Compliance \(PDF\)](#)

General

Product Family	Crimp Terminals
Series	501930
Application	Signal
Crimp Quality Equipment	Yes
Overview	Duo-Clasp™ Wire-to-Board System
Product Name	Duo-Clasp™
UPC	822350237017

Physical

Durability (mating cycles max)	30
Gender	Male
Material - Metal	Copper Alloy
Material - Plating Mating	Gold
Material - Plating Termination	Tin
Net Weight	16.452/mg
Packaging Type	Reel
Plating min - Mating	0.102µm
Plating min - Termination	1.016µm
Wire Insulation Diameter	0.80-1.0mm
Wire Size AWG	26, 28
Wire Size mm²	N/A

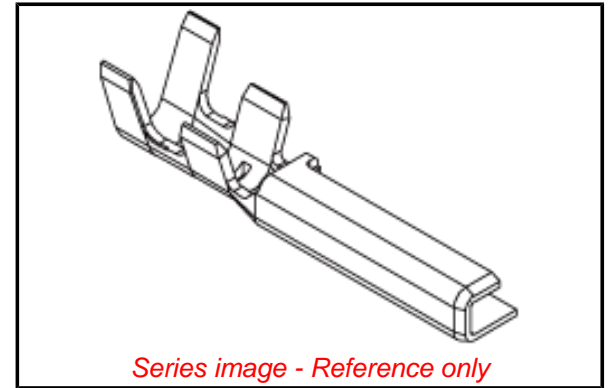
Electrical

Current - Maximum per Contact	1.0A
Voltage - Maximum	50V AC (RMS)/DC

Material Info

Reference - Drawing Numbers

Sales Drawing [SD-501930-001](#), [SD-501930-002](#)



EU ELV

Not Relevant

EU RoHS

Compliant

REACH SVHC

Not Contained Per -
ED/21/2016 (20 June
2016)

Halogen-Free

Status

Low-Halogen

Need more information on product environmental compliance?

Email productcompliance@molex.com
Please visit the [Contact Us](#) section for any non-product compliance questions.

China ROHS
ELV

Green Image
Not Relevant

Search Parts in this Series

[501930](#) Series

Mates With

[501931](#) PCB Receptacle . [502046](#) PCB Receptacle

Use With

[503110](#) Crimp Housing

Application Tooling | FAQ

Tooling specifications and manuals are found by selecting the products below. Crimp Height Specifications are then contained in the Application Tooling Specification document.

Global

Description

Product #

Extraction Tool

[0638132700](#)

Hand Tool for

[0638194400](#)

1.25mm Wire-

to-Board Crimp
Terminal, 26-28
AWG Wire
FineAdjust™ 0639006600
Applicator for
1.25mm Pitch Wire-
to-Board Connector
Dual Plug Terminals,
26-28 AWG
T2 Terminator 0639106600
Tooling Die for
1.25mm Pitch Wire-
to-Board Connector
Dual Plug Terminals,
26-28 AWG

Japan

Description	Product #
Applicator for M21 1A Bench Press, 26-28 AWG Wire	<u>5780343000</u>
Hand Crimp Tool - Straight Action	<u>5780345300</u>

This document was generated on 07/14/2016

PLEASE CHECK WWW.MOLEX.COM FOR LATEST PART INFORMATION