

**PLEASE CHECK WWW.MOLEX.COM FOR LATEST PART INFORMATION**

**Part Number:** [0019091069](#)  
**Status:** **Active**  
**Overview:** Standard .093" Pin and Socket Connectors  
**Description:** 2.36mm Diameter Standard .093" Pin and Socket Receptacle Housing with Positive Latch, UL 94V-2, 6 Circuits

**Documents:**

[3D Model](#) [Product Specification PS-02-09 \(PDF\)](#)  
[Drawing \(PDF\)](#) [RoHS Certificate of Compliance \(PDF\)](#)

**Agency Certification**

CSA LR19980  
 UL E29179

**General**

Product Family Crimp Housings  
 Series [3191](#)  
 Application Power, Wire-to-Board, Wire-to-Wire  
 Comments Polarized to Mating Part, without Mounting Ears  
 Overview [Standard .093" Pin and Socket Connectors](#)  
 Product Name Standard .093"  
 UPC 800753594517

**Physical**

Breakaway No  
 Circuits (maximum) 6  
 Circuits Detail 2x3  
 Color - Resin Natural  
 Flammability 94V-2  
 Gender Receptacle  
 Glow-Wire Compliant No  
 Keying to Mating Part None  
 Lock to Mating Part Yes  
 Material - Resin Nylon  
 Net Weight 4.893/g  
 Number of Rows 2  
 Packaging Type Bag  
 Panel Mount No  
 Pitch - Mating Interface 6.70mm  
 Polarized to Mating Part Yes  
 Stackable No  
 Temperature Range - Operating -40°C to +105°C

**Electrical**

Current - Maximum per Contact 9.0A

**Solder Process Data**

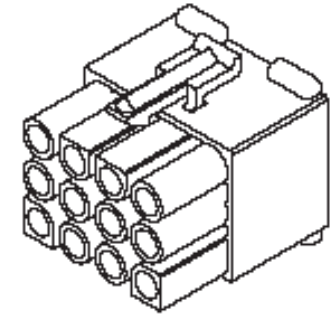
Lead-free Process Capability N/A

**Material Info**

Old Part Number 3191-6R1

**Reference - Drawing Numbers**

Product Specification PS-02-09  
 Sales Drawing SD-3191-6\*



Series image - Reference only

**EU ELV**

**Not Relevant**

**EU RoHS**

**Compliant**

**REACH SVHC**

Not Contained Per -  
 ED/21/2016 (20 June  
 2016)

**Halogen-Free**

**Status**

**Low-Halogen**

**Need more information on product  
 environmental compliance?**

Email [productcompliance@molex.com](mailto:productcompliance@molex.com)  
 Please visit the [Contact Us](#) section for any  
 non-product compliance questions.

China ROHS

ELV

Green Image

Not Relevant

**Search Parts in this Series**

[3191](#) Series

**Mates With**

[19-09-2066](#) , [19-09-2067](#) , [19-09-2068](#) ,  
[19-09-2069](#) , [521 9](#)

**Use With**

[1189](#) Crimp Terminals, [1190](#) Crimp  
 Terminals, [1380](#) Male Crimp Terminals,  
[1381](#) Female Crimp Terminals, [1433](#) Crimp  
 Terminals, [1434](#) Male Crimp Terminals,  
[2605](#) , [2606](#) , [1973](#) , [2151](#) , [2273](#) , [2870](#) , Li  
 nk:[2871](#), [4272](#)

**PLEASE CHECK [WWW.MOLEX.COM](http://WWW.MOLEX.COM) FOR LATEST PART INFORMATION**