

PLEASE CHECK WWW.MOLEX.COM FOR LATEST PART INFORMATION

Part Number: **5024390600**
Status: **Active**
Overview: CLIK-Mate™ Wire-to-Board Connectors
Description: 2.00mm Pitch CLIK-Mate™ Wire-to-Board Housing, Single Row, Positive Lock, 6 Circuits

Documents:

[3D Model](#) [Packaging Specification 5024399200 \(PDF\)](#)
[Drawing \(PDF\)](#) [RoHS Certificate of Compliance \(PDF\)](#)
[Product Specification 5024431570 \(PDF\)](#)

Agency Certification

UL E29179

General

Product Family Crimp Housings
Series [502439](#)
Application Signal, Wire-to-Board
Comments See Product Specification for maximum current rating by circuit size and wire AWG
MolexKits Yes
Overview [CLIK-Mate™ Wire-to-Board Connectors](#)
Product Name CLIK-Mate™
UPC 822350915847

Physical

Breakaway No
Circuits (maximum) 6
Color - Resin White
Gender Plug
Glow-Wire Compliant No
Keying to Mating Part Yes
Lock to Mating Part Yes
Material - Resin PBT
Net Weight 506.000/mg
Number of Rows 1
Packaging Type Bag
Panel Mount No
Pitch - Mating Interface 2.00mm
Polarized to Mating Part Yes
Stackable No
Temperature Range - Operating -40°C to +105°C

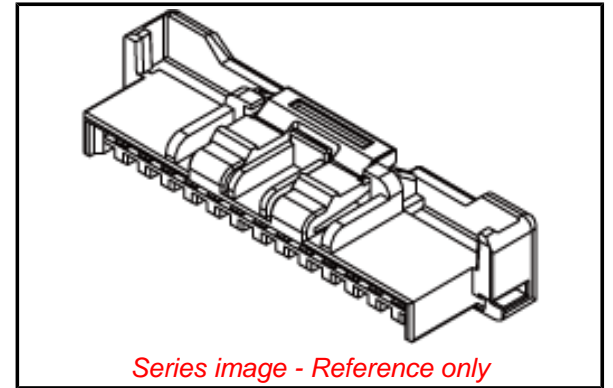
Electrical

Current - Maximum per Contact 3.0A

Material Info

Reference - Drawing Numbers

Packaging Specification 5024399200
Product Specification 5024431570, RPS-502443-001
Sales Drawing 5024391500



EU ELV

Not Relevant

EU RoHS

Compliant

China RoHS

REACH SVHC

Not Contained Per -
ED/21/2016 (20 June
2016)

Halogen-Free

Status

Not Low-Halogen

Need more information on product environmental compliance?

Email productcompliance@molex.com
Please visit the [Contact Us](#) section for any non-product compliance questions.

China ROHS

ELV

Green Image

Not Relevant

Search Parts in this Series

[502439](#) Series

Mates With

[502443](#) PCB Receptacle Vertical . [502494](#) PCB Receptacle Right Angle

Use With

[502438](#) Crimp Terminal