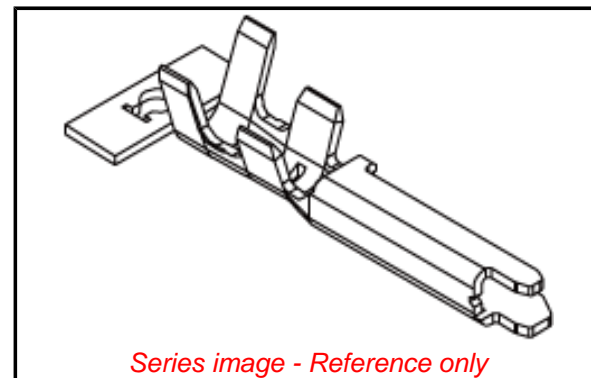


PLEASE CHECK WWW.MOLEX.COM FOR LATEST PART INFORMATION

Part Number: **5025791000**
Status: **Active**
Overview: CLIK-Mate™ Wire-to-Board Connectors
Description: CLIK-Mate™ 1.50mm Pitch Wire-to-Board Crimp Terminal, Gold Plating, 24-28 AWG, Reel

Documents:

3D Model	Product Specification 5031540000RPS (PDF)
Drawing (PDF)	Application Specification 5031490000 (PDF)
Product Specification 5025840000 (PDF)	RoHS Certificate of Compliance (PDF)
Product Specification 5031540000 (PDF)	



General

Product Family	Crimp Terminals
Series	502579
Application	Signal
Crimp Quality Equipment	Yes
Overview	<u>CLIK-Mate™ Wire-to-Board Connectors</u>
Product Name	CLIK-Mate™
UPC	889056166737

Physical

Durability (mating cycles max)	30
Gender	Plug
Material - Metal	Copper Alloy
Material - Plating Mating	Gold over Nickel
Material - Plating Termination	Tin
Net Weight	42.000/mg
Packaging Type	Reel
Plating min - Mating	0.203µm
Plating min - Termination	1.016µm
Termination Interface: Style	Crimp or Compression
Wire Insulation Diameter	0.78-1.28mm
Wire Size AWG	24, 26, 28
Wire Size mm²	0.08-0.20

Electrical

Current - Maximum per Contact	2.0A
Voltage - Maximum	100V AC (RMS)/DC

Material Info

Reference - Drawing Numbers

Application Specification	5031490000
Product Specification	5025840000, 5031540000, 5031540000RPS
Sales Drawing	SD-502579-002

EU ELV

Not Relevant

EU RoHS

Compliant

China RoHS

REACH SVHC

Not Contained Per -
ED/21/2016 (20 June 2016)

Halogen-Free

Status

Low-Halogen

Need more information on product environmental compliance?

Email productcompliance@molex.com
Please visit the [Contact Us](#) section for any non-product compliance questions.

China ROHS

ELV

Green Image

Not Relevant

Search Parts in this Series

[502579 Series](#)

Use With

[502578 CLIK-Mate™ Housing](#), [503149 CLIK-Mate™ Housing](#)

Application Tooling | FAQ

Tooling specifications and manuals are found by selecting the products below. Crimp Height Specifications are then contained in the Application Tooling Specification document.

Global

Description	Product #
Hand Crimp Tool for Wire-to-Board Terminal, 24-28 AWG Wire	0638194600
Extractor Tool for 1.50mm Pitch Wire-	0638133700

to-Board Crimp Terminal FineAdjust™ Applicator for 1.50mm Pitch Wire- to-Board Crimp Terminals	<u>0639025000</u>
T2 Terminator for 1.50mm Pitch Wire- to-Board Terminal	<u>0639125000</u>

This document was generated on 07/18/2016

PLEASE CHECK WWW.MOLEX.COM FOR LATEST PART INFORMATION