

PLEASE CHECK WWW.MOLEX.COM FOR LATEST PART INFORMATION

Part Number: [0701075040](#)
Status: **Active**
Overview: [SL™ Modular Connectors](#)
Description: SL™ Wire-to-Wire Panel Mount Crimp Housing, Single Row, Panel Mount Plug with TPA Feature, 6 Circuits

Documents:

[Drawing \(PDF\)](#) [Packaging Specification PK-70107-100 \(PDF\)](#)
[Product Specification PS-70400 \(PDF\)](#) [RoHS Certificate of Compliance \(PDF\)](#)

General

Product Family	Crimp Housings
Series	70107
Application	Signal, Wire-to-Wire
Comments	Panel Mount Plug with TPA feature
Overview	SL™ Modular Connectors
Product Name	SL™
UPC	889056154956

Physical

Circuits (maximum)	6
Color - Resin	Black
Gender	Male
Glow-Wire Compliant	No
Lock to Mating Part	Yes
Material - Resin	Polyester
Net Weight	1.617/g
Number of Rows	1
Packaging Type	Bag
Panel Mount	Yes
Pitch - Mating Interface	2.54mm
Polarized to Mating Part	Yes
Stackable	No
Temperature Range - Operating	-40°C to +105°C

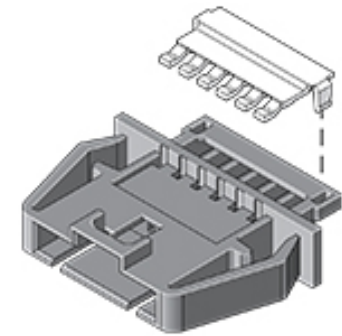
Solder Process Data

Lead-freeProcess Capability	N/A
-----------------------------	-----

Material Info

Reference - Drawing Numbers

Packaging Specification	PK-70107-100
Product Specification	PS-70400
Sales Drawing	SD-70107-503



Series image - Reference only

EU ELV

Not Relevant

EU RoHS

Compliant

REACH SVHC

Not Contained Per
-ED/79/2015 (17
December 2015)

Halogen-Free

Status

Not Low-Halogen

Need more information on product environmental compliance?

Email productcompliance@molex.com
Please visit the [Contact Us](#) section for any non-product compliance questions.

China ROHS
ELV

Green Image
Not Relevant

Search Parts in this Series

[70107 Series](#)

Mates With

SL™ Crimp Housing [70066-0390](#)

Use With

SL™ Crimp Terminal [70021](#) , SL™ TPA
[73838](#)