

**PLEASE CHECK WWW.MOLEX.COM FOR LATEST PART INFORMATION**

**Part Number:** [5024941470](#)  
**Status:** **Active**  
**Overview:** [CLIK-Mate™ Wire-to-Board Connectors](#)  
**Description:** 2.00mm Pitch CLIK-Mate™ Wire-to-Board PCB Receptacle, Single Row, Right Angle, 14 Circuits

**Documents:**

<a href="#">3D Model</a>	<a href="#">Application Specification AS-502439-001 (PDF)</a>
<a href="#">Drawing (PDF)</a>	<a href="#">Application Specification AS-502439-002 (PDF)</a>
<a href="#">Product Specification 5024430001 (PDF)</a>	<a href="#">Packaging Specification 5024949200 (PDF)</a>
<a href="#">Product Specification 5024431570 (PDF)</a>	<a href="#">RoHS Certificate of Compliance (PDF)</a>
<a href="#">Product Specification 5024941570 (PDF)</a>	

**Agency Certification**

UL E29179

**General**

Product Family	PCB Receptacles
Series	502494
Application	Signal, Wire-to-Board
MolexKits	Yes
Overview	<a href="#">CLIK-Mate™ Wire-to-Board Connectors</a>
Product Name	CLIK-Mate™
UPC	822350937719

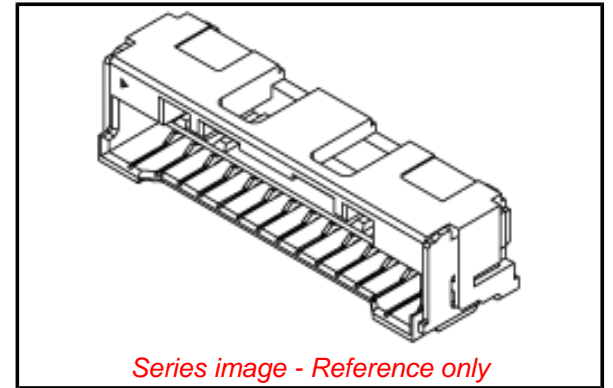
**Physical**

Circuits (Loaded)	14
Circuits (maximum)	14
Durability (mating cycles max)	30
Glow-Wire Compliant	No
Guide to Mating Part	Yes
Keying to Mating Part	Yes
Lock to Mating Part	Yes
Mated Height	6.90mm
Material - Plating Mating	Tin
Material - Plating Termination	Tin
Net Weight	1559.601/mg
Number of Rows	1
Orientation	Right Angle
PCB Locator	No
PCB Retention	Yes
Packaging Type	Embossed Tape on Reel
Pitch - Mating Interface	2.00mm
Pitch - Termination Interface	2.00mm
Plating min - Mating	2.032µm
Plating min - Termination	1.016µm
Polarized to Mating Part	Yes
Polarized to PCB	Yes
Stackable	No
Surface Mount Compatible (SMC)	Yes
Temperature Range - Operating	-40°C to +105°C
Termination Interface: Style	Surface Mount

**Electrical**

Current - Maximum per Contact	3.0A
Voltage - Maximum	250V AC (RMS)/DC

**Material Info**



**EU ELV**

**Not Relevant**

**EU RoHS**

**Compliant**

**REACH SVHC**

Not Contained Per -  
ED/21/2016 (20 June  
2016)

**Halogen-Free**

**Status**

**Not Low-Halogen**

**Need more information on product environmental compliance?**

Email [productcompliance@molex.com](mailto:productcompliance@molex.com)  
Please visit the [Contact Us](#) section for any non-product compliance questions.

China ROHS

ELV

Green Image

Not Relevant

**Search Parts in this Series**

[502494 Series](#)

**Mates With**

[502439 Crimp Housing](#)

**Reference - Drawing Numbers**

Application Specification

Packaging Specification

Product Specification

AS-502439-001, AS-502439-002

5024949200

5024430001, 5024431570, 5024941570,

RPS-502443-001, RPS-502443-007, RPS-502443-008,

RPS-502443-009, RPS-502443-010, RPS-502443-012,

RPS-502494-001, RPS-502494-003

This document was generated on 08/03/2016

**PLEASE CHECK [WWW.MOLEX.COM](http://WWW.MOLEX.COM) FOR LATEST PART INFORMATION**