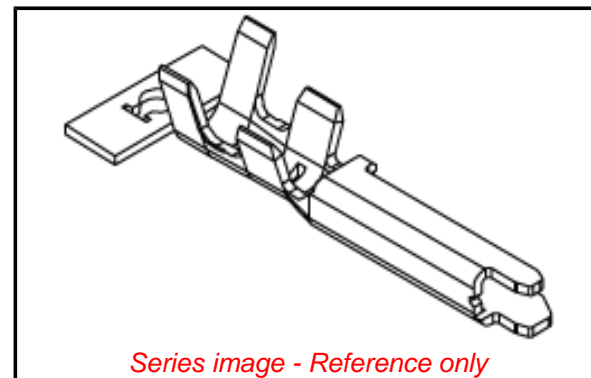


PLEASE CHECK WWW.MOLEX.COM FOR LATEST PART INFORMATION

Part Number: [5025790100](#)
Status: **Active**
Overview: [CLIK-Mate™ Wire-to-Board Connectors](#)
Description: [CLIK-Mate™ 1.50mm Pitch Wire-to-Board Crimp Terminal, Tin Plating, 24-28 AWG, Bag](#)

Documents:

3D Model	Product Specification 5031540000 (PDF)
Drawing (PDF)	Product Specification 5031540000RPS (PDF)
Product Specification 5025840000 (PDF)	Application Specification 5031490000 (PDF)
Product Specification 5031480000 (PDF)	RoHS Certificate of Compliance (PDF)



General

Product Family	Crimp Terminals
Series	502579
Application	Signal
Crimp Quality Equipment	Yes
Overview	CLIK-Mate™ Wire-to-Board Connectors
Packaging Alternative	502579-0000 (Reel)
Product Name	CLIK-Mate™
UPC	800756642864

Physical

Durability (mating cycles max)	30
Gender	Plug
Material - Metal	Copper Alloy
Material - Plating Mating	Tin
Material - Plating Termination	Tin
Net Weight	22.500/mg
Packaging Type	Bag
Plating min - Mating	0.406µm
Plating min - Termination	0.406µm
Termination Interface: Style	Crimp or Compression
Wire Insulation Diameter	0.78-1.28mm
Wire Size AWG	24, 26, 28
Wire Size mm²	0.08-0.20

Electrical

Current - Maximum per Contact	2.0A
Voltage - Maximum	100V AC (RMS)/DC

Material Info

Reference - Drawing Numbers

Application Specification	5031490000
Product Specification	5025840000 , 5031480000 , 5031540000 , 5031540000RPS , RPS-502585-002 , RPS-503159-001 SD-502579-001 , SD-502579-002
Sales Drawing	

EU ELV

Not Relevant

EU RoHS

Compliant

China RoHS

REACH SVHC

Not Contained Per -
ED/21/2016 (20 June
2016)

Halogen-Free

Status

Low-Halogen

**Need more information on product
environmental compliance?**

Email productcompliance@molex.com
Please visit the [Contact Us](#) section for any
non-product compliance questions.

China ROHS
ELV

Green Image
Not Relevant

Search Parts in this Series

[502579 Series](#)

Use With

[502578 CLIK-Mate™ Housing](#)

Application Tooling | [FAQ](#)

*Tooling specifications and manuals are
found by selecting the products below.
Crimp Height Specifications are then
contained in the Application Tooling
Specification document.*

Global

Description	Product #
Hand Crimp Tool for Wire-to-Board Terminal, 24-28 AWG Wire	0638194600
Extractor Tool for 1.50mm Pitch Wire-	0638133700

This document was generated on 07/18/2016

PLEASE CHECK WWW.MOLEX.COM FOR LATEST PART INFORMATION