

PLEASE CHECK WWW.MOLEX.COM FOR LATEST PART INFORMATION

Part Number: [5050731100](#)
Status: **Active**
Overview: TermiMate™ One-Circuit Terminal-Style Connector System
Description: TermiMate™ Crimp Terminal Receptacle, 1.20mm Mated Height

Documents:

[Drawing \(PDF\)](#) [RoHS Certificate of Compliance \(PDF\)](#)

General

Product Family	Crimp Terminals
Series	505073
Application	Signal
Comments	See Product Specification for maximum current rating by wire AWG
Crimp Quality Equipment Overview	Yes TermiMate™ One-Circuit Terminal-Style Connector System
Product Name	TermiMate™
UPC	887191571041

Physical

Durability (mating cycles max)	20
Gender	Female
Material - Metal	Copper Alloy
Material - Plating Mating	Tin over Nickel
Net Weight	54.000/mg
Packaging Type	Reel
Plating min - Mating	0.406µm
Termination Interface: Style	Crimp or Compression
Wire Insulation Diameter	0.9-1.7mm
Wire Size AWG	22, 24, 26
Wire Size mm²	0.126-0.34

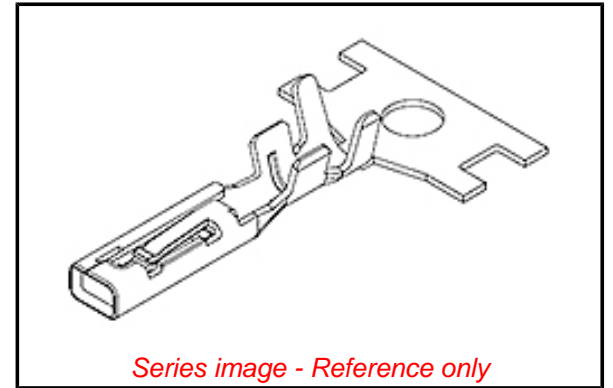
Electrical

Current - Maximum per Contact	3.0A
Voltage - Maximum	125V AC (RMS)/DC

Material Info

Reference - Drawing Numbers

Application Tooling Documents	IS-0006E, IS-0006J, IS-0117E, IS-0117JE, IS-5781406000JE, IS-5781406100JE
Sales Drawing	5781406000, 5781406100, SD-505073-001



EU ELV

Not Relevant

EU RoHS

Compliant

REACH SVHC

Not Contained Per - ED/21/2016 (20 June 2016)

Halogen-Free

Status

Low-Halogen

Need more information on product environmental compliance?

Email productcompliance@molex.com
Please visit the [Contact Us](#) section for any non-product compliance questions.

China ROHS
ELV

China RoHS

Green Image
Not Relevant

Search Parts in this Series

[505073](#) Series

Mates With

TermiMate™ PCB Plug Terminal
[505071-0101](#)

Application Tooling | FAQ

Tooling specifications and manuals are found by selecting the products below. Crimp Height Specifications are then contained in the Application Tooling Specification document.

Global

Description	Product #
Unlatching Tool for TermiMate™ 505071 Plug Terminal for removal of TermiMate™ 505073	0638245010

Crimp Terminal
Receptacle
Hand Crimp Tool for [0638277500](#)
TermiMate™ Crimp
Terminal Receptacle,
22-26 AWG Wire
Hand Crimp Tool for [0638277600](#)
TermiMate™ Crimp
Terminal Receptacle,
22-26 AWG Wire
FineAdjust™ [0639037200](#)
Applicator for
TermiMate™ 1
Circuit Wire-to-Board
Crimp Terminals,
22-26 AWG

This document was generated on 07/14/2016

PLEASE CHECK WWW.MOLEX.COM FOR LATEST PART INFORMATION