

PLEASE CHECK WWW.MOLEX.COM FOR LATEST PART INFORMATION

Part Number: [0747830363](#)
Status: **Active**
Overview: [QSFP+ Interconnect Solution](#)
Description: QSFP+ Heat Sink Clip for 1-by-3 EMI Cages

Documents:

[Drawing \(PDF\)](#) [RoHS Certificate of Compliance \(PDF\)](#)
[Packaging Specification PK-74783-001 \(PDF\)](#)

General

Product Family	EMI Cages
Series	74768
Application	N/A
Component Type	Clip
Overview	QSFP+ Interconnect Solution
Product Name	QSFP+
UPC	883906757052
Use With	74768 QSFP+ Cage Assembly

Physical

EMI Panel / Bezel Mount	N/A
Light Pipes per Port	N/A
Material - Metal	Stainless Steel
Net Weight	2.500/g
Orientation	N/A
Packaging Type	Tray
Port Configuration	1x3
Rear Legs	0
Termination Interface: Style	N/A
Thermal Height	N/A
Thermal Solutions	N/A

Solder Process Data

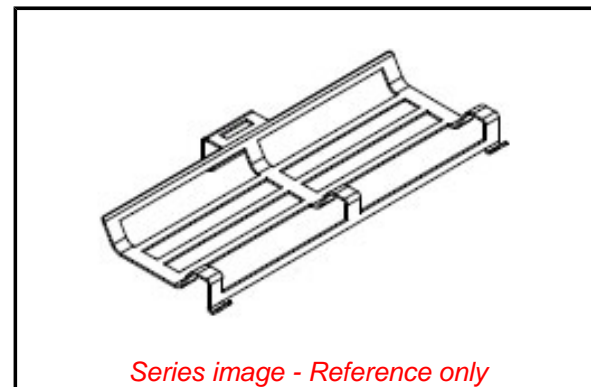
Lead-freeProcess Capability	N/A
-----------------------------	-----

Material Info

Engineering Number	74783-0362
--------------------	------------

Reference - Drawing Numbers

Packaging Specification	PK-74783-001
Sales Drawing	SD-74767-0400



EU ELV

Not Relevant

EU RoHS

Compliant

REACH SVHC

Not Contained Per -
ED/21/2016 (20 June
2016)

Halogen-Free

Status

Low-Halogen

**Need more information on product
environmental compliance?**

Email productcompliance@molex.com
Please visit the [Contact Us](#) section for any
non-product compliance questions.

China ROHS

ELV

Green Image

Not Relevant

Search Parts in this Series

[74768](#) Series