

**PLEASE CHECK WWW.MOLEX.COM FOR LATEST PART INFORMATION**

**Part Number:** [0855035001](#)  
**Status:** **Active**  
**Overview:** [Modular Jacks and Plugs](#)  
**Description:** [Modular Jack, Cat5e, Right Angle, Through Hole, 8/8, Tray](#)

**Documents:**

[3D Model](#) [RoHS Certificate of Compliance \(PDF\)](#)  
[Drawing \(PDF\)](#) [Product Literature \(PDF\)](#)

**Agency Certification**

UL E107635

**General**

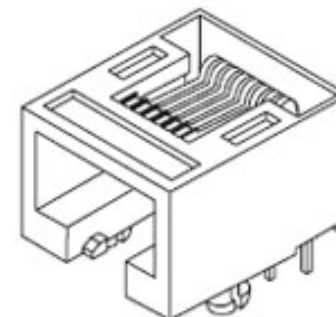
Product Family [Modular Jacks/Plugs](#)  
Series [85503](#)  
Comments [Reflow Capable](#)  
Component Type [PCB Jack](#)  
Magnetic [No](#)  
Overview [Modular Jacks and Plugs](#)  
Performance Category [5e](#)  
Power over Ethernet (PoE) [N/A](#)  
Product Literature Order No [987650-8441](#)  
Product Name [RJ45](#)  
UPC [822350976619](#)

**Physical**

Boot Color [N/A](#)  
Color - Resin [Black](#)  
Durability (mating cycles max) [2500](#)  
Flammability [94V-0](#)  
Inverted / Top Latch [No](#)  
Jack Height [11.50mm](#)  
Lightpipes/LEDs [None](#)  
Material - Metal [Phosphor Bronze](#)  
Material - Plating Mating [Gold over Palladium Nickel](#)  
Material - Plating Termination [Tin](#)  
Material - Resin [High Temperature Thermoplastic](#)  
Net Weight [2.460/g](#)  
Orientation [Right Angle \(Side Entry\)](#)  
PCB Locator [Yes](#)  
PCB Retention [Yes](#)  
PCB Thickness - Recommended [1.57mm](#)  
Packaging Type [Tray](#)  
Pitch - Mating Interface [1.02mm](#)  
Pitch - Termination Interface [1.27mm](#)  
Plating min - Mating [0.051µm, 0.600µm](#)  
Plating min - Termination [1.905µm](#)  
Ports [1](#)  
Positions / Loaded Contacts [8/8](#)  
Surface Mount Compatible (SMC) [No](#)  
Temperature Range - Operating [-40°C to +85°C](#)  
Termination Interface: Style [Through Hole](#)  
Waterproof / Dustproof [No](#)  
Wire/Cable Type [N/A](#)

**Electrical**

Current - Maximum per Contact [1.5A](#)



*Series image - Reference only*

**EU ELV**

**Not Relevant**

**EU RoHS**

**Compliant**

**REACH SVHC**

Not Contained Per -  
ED/21/2016 (20 June  
2016)

**Halogen-Free**

**Status**

**Low-Halogen**

**Need more information on product  
environmental compliance?**

Email [productcompliance@molex.com](mailto:productcompliance@molex.com)  
Please visit the [Contact Us](#) section for any  
non-product compliance questions.

China ROHS

ELV

Green Image

Not Relevant

**Search Parts in this Series**

[85503](#) Series

**Mates With**

[95043](#) Modular Plug, Short Body

Shielded	No
Voltage - Maximum	125V DC

**Solder Process Data**

Duration at Max. Process Temperature (seconds)	005
Lead-free Process Capability	WAVE
Max. Cycles at Max. Process Temperature	001
Process Temperature max. C	260

**Material Info**

**Reference - Drawing Numbers**

Sales Drawing	SD-85503-101
---------------	--------------

This document was generated on 07/18/2016

**PLEASE CHECK [WWW.MOLEX.COM](http://WWW.MOLEX.COM) FOR LATEST PART INFORMATION**