

PLEASE CHECK WWW.MOLEX.COM FOR LATEST PART INFORMATION

Part Number: [0732540100](#)
Status: **Active**
Overview: QMA RF Connectors
Description: 50 Ohms, QMA straight Jack for LMR-100, RG-174, RG-188 and RG-316 Cable

Documents:

[Drawing \(PDF\)](#) [RoHS Certificate of Compliance \(PDF\)](#)

General

Product Family	RF/Coax Connectors
Series	73254
Overview	QMA RF Connectors
Product Name	QMA
Style	Cable
UPC	822348131723
Wire/Cable Type	LMR-100, RG-174, RG-188, RG-316

Physical

Gender	Jack
Keying to Mating Part	None
Net Weight	5.368/g
Orientation	Straight
PCB Mounting	N/A
Packaging Type	Tray
Panel Mount	Yes
Panel Mount Method	Bulkhead
Reverse Polar	No

Electrical

Impedance	50#
-----------	-----

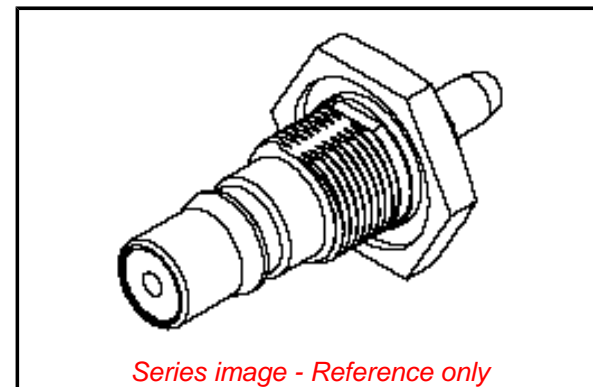
Solder Process Data

Lead-free Process Capability	N/A
------------------------------	-----

Material Info

Reference - Drawing Numbers

Sales Drawing	SD-73254-010
---------------	--------------



EU ELV

Not Relevant

EU RoHS

Compliant with Exemption 6(c)

REACH SVHC

Not Contained Per - ED/21/2016 (20 June 2016)

Halogen-Free

Status

Low-Halogen

Need more information on product environmental compliance?

Email productcompliance@molex.com
Please visit the [Contact Us](#) section for any non-product compliance questions.

China ROHS

50 Image

ELV

Not Relevant

Search Parts in this Series

[73254 Series](#)