

PLEASE CHECK WWW.MOLEX.COM FOR LATEST PART INFORMATION

Part Number: [0553595029](#)
Status: **Active**
Overview: CompactFlash™
Description: 1.27mm Pitch CF Card Header- Right Angle, Surface Mount Bottom Mounting For Type I and II Cards

Documents:

[3D Model](#) [RoHS Certificate of Compliance \(PDF\)](#)
[Drawing \(PDF\)](#)

Agency Certification

UL E29179

General

Product Family Memory Card Sockets
 Series [55359](#)
 Material - Contact Copper Alloy
 Overview CompactFlash™
 Product Name CompactFlash
 Style Guide and Holder
 UPC 822348186280

Physical

Card Detection Switch N/A
 Card Entry Location Front
 Circuits (Loaded) 50
 Durability (mating cycles max) 10000
 Ejector Button Side N/A
 Flammability 94V-0
 Material - Plating Mating Gold over Nickel
 Material - Plating Termination Tin
 Net Weight 3290.278/mg
 PCB Retention Yes
 Packaging Type Tray
 Pitch - Mating Interface 1.27mm
 Temperature Range - Operating -20°C to +90°C
 Termination Interface: Style Surface Mount

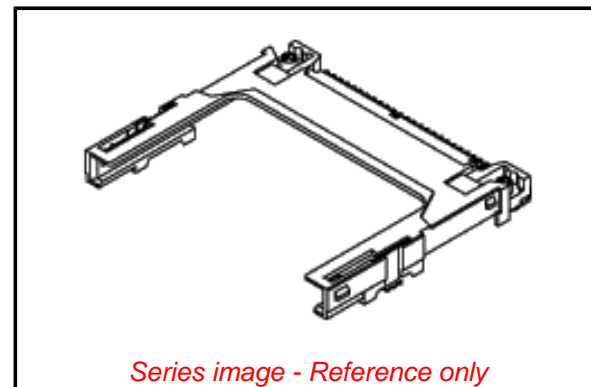
Electrical

Current - Maximum per Contact 0.5A
 Voltage - Maximum 100V AC (RMS)
 Voltage Key 3.3V, 5.0V

Material Info

Reference - Drawing Numbers

Sales Drawing SD-55359-015



EU ELV

Not Relevant

EU RoHS

Compliant

China RoHS

REACH SVHC

Not Contained Per -
 ED/21/2016 (20 June
 2016)

Halogen-Free

Status

Low-Halogen

**Need more information on product
 environmental compliance?**

Email productcompliance@molex.com
 Please visit the [Contact Us](#) section for any
 non-product compliance questions.

China ROHS

ELV

Green Image

Not Relevant

Search Parts in this Series

[55359](#) Series

Mates With

[67003](#) , [67114](#) , Industry Standard CF Card

Use With

[55356](#) Ejector, [55365](#) Ejector