

PLEASE CHECK WWW.MOLEX.COM FOR LATEST PART INFORMATION

Part Number: [5600850101](#)
Status: **Active**
Overview: [DuraClik™ Connector System](#)
Description: [DuraClik™ Crimp Terminal, Female, 22-26 AWG, Reel](#)

Documents:

[Drawing \(PDF\)](#) [Application Specification AS-560085-001-JP \(PDF\)](#)
[Product Specification PS-502351-001 \(PDF\)](#) [RoHS Certificate of Compliance \(PDF\)](#)

General

Product Family [Crimp Terminals](#)
Series [560085](#)
Application [Power, Signal](#)
Crimp Quality Equipment [Yes](#)
Overview [DuraClik™ Connector System](#)
Product Name [DuraClik™](#)
UPC [887191151892](#)

Physical

Gender [Female](#)
Material - Metal [Phosphor Bronze](#)
Material - Plating Mating [Tin](#)
Material - Plating Termination [Tin](#)
Net Weight [48.880/mg](#)
Packaging Type [Reel](#)
Termination Interface: Style [Crimp or Compression](#)
Wire Insulation Diameter [1.40mm](#)
Wire Size AWG [22, 24, 26](#)
Wire Size mm² [0.34](#)

Electrical

Voltage - Maximum [125V](#)

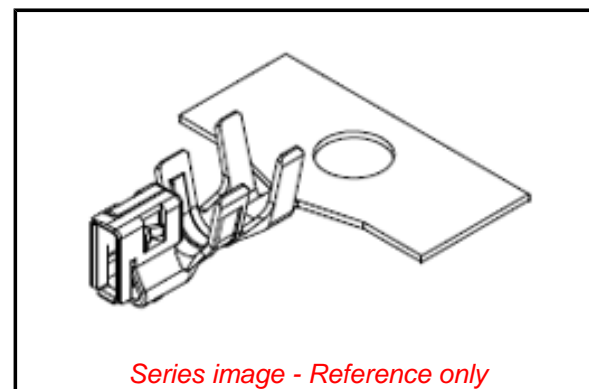
Solder Process Data

Lead-freeProcess Capability [N/A](#)

Material Info

Reference - Drawing Numbers

Application Specification [AS-560085-001-JP](#)
Product Specification [PS-502351-001, RPS-502351-008-JP, RPS-502351-009-JP, RPS-502351-010-JP, RPS-502351-011-JP](#)
Sales Drawing [SD-560085-001](#)



Series image - Reference only

EU ELV

Compliant

EU RoHS

Compliant

China RoHS

REACH SVHC

Not Contained Per -
ED/21/2016 (20 June
2016)

Halogen-Free

Status

Low-Halogen

Need more information on product environmental compliance?

Email productcompliance@molex.com
Please visit the [Contact Us](#) section for any non-product compliance questions.

China ROHS

ELV

Green Image

Compliant

Search Parts in this Series

[560085](#) Series

Use With

[502351](#) DuraClik™ Wire-to-Board Receptacle Housing

Application Tooling | FAQ

Tooling specifications and manuals are found by selecting the products below. Crimp Height Specifications are then contained in the Application Tooling Specification document.

Global

Description	Product #
Extraction Tool	0011030043
Hand Crimp Tool for 2.00mm Pitch Wire-to-Board Crimp Terminal	0638235100

This document was generated on 08/08/2016

PLEASE CHECK WWW.MOLEX.COM FOR LATEST PART INFORMATION