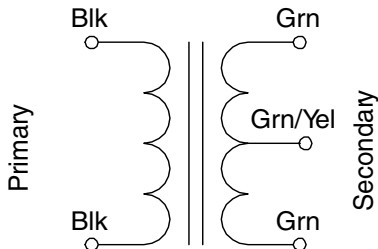


# Filament & L.V. Rectifier Use (165 Series)

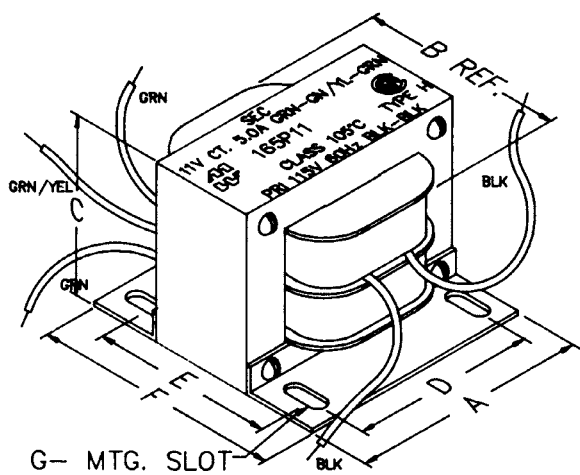
Power

## Transformer Schematic



## HIGH CURRENT - OPEN FRAME FILAMENT & L.V. RECTIFIER USE TRANSFORMERS

- Primary 115 VAC, 60 Hz.
- All secondaries center tapped, VAC (RMS)
- Open style, 4 hole frame chassis mount.
- Minimum 6" long leads or copper tabs with holes.
- Dual bobbin design - no electrostatic shield required.
- Class B insulation (130 degrees, C).
- Hi-Pot test of 2,000V RMS.
- UL listed (# E50394) & CSA certified (# LR3902)



Primary 115 VAC 60 Hz.

Part No.	VA	Secondary (R.M.S.)		Dim. Ref.
		VAC	Amps	
<b>165Z3</b>	150	3.0 C.T.	50	H10
<b>165X5</b>	150	5.0 C.T.	30	H9
<b>165V7</b>	157.5	7.5 C.T.	21	H9
<b>165V10</b>	200	10.0 C.T.	20	H10
<b>165U11</b>	165	11.0 C.T.	15	H9
<b>165S12</b>	126	12.6 C.T.	10	H7
<b>165V12</b>	252	12.6 C.T.	20	H12
<b>165S18</b>	180	18.0 C.T.	10	H10
<b>165U18</b>	270	18.0 C.T.	15	H16
<b>165V18</b>	360	18.0 C.T.	20	H18
<b>165T22</b>	264	22.0 C.T.	12	H16
<b>165V22</b>	440	22.0 C.T.	20	H19
<b>165P25</b>	125	25.0 C.T.	5	H7
<b>165S25</b>	250	25.0 C.T.	10	H12
<b>165P30</b>	150	30.0 C.T.	5	H7
<b>165S30</b>	300	30.0 C.T.	10	H16
<b>165P60</b>	300	60.0 C.T.	5	H16
<b>165N80</b>	320	80.0 C.T.	4	H18

## Dimension Table

Mtg. Style	Dimensions (Inches)						Mtg. Slot
	A	B	C	D	E	F	
<b>H7</b>	3.00	3.25	2.56	2.50	3.25	4.00	.22 x .56
<b>H9</b>	3.75	2.63	3.13	3.13	2.50	3.25	.22 x .56
<b>H10</b>	3.75	3.13	3.13	3.13	2.75	3.50	.22 x .56
<b>H12</b>	3.75	3.63	3.13	3.13	3.25	4.00	.22 x .56
<b>H16</b>	4.50	3.88	3.75	3.75	2.75	3.50	.28 x .56
<b>H18</b>	4.50	4.38	3.75	3.75	3.25	4.00	.28 x .56
<b>H19</b>	4.50	4.38	3.75	3.75	3.75	4.50	.28 x .56

**EUROPE**  
Basingstoke, UK 01256 812812

**AUSTRALIA**  
Queenstown, Australia 61-8-8240-2244

[www.hammondmfg.com](http://www.hammondmfg.com)



**CANADA**  
Guelph, Ontario (519) 822-2960  
St. Laurent, Quebec (514) 343-9010

**USA**  
Cheektowaga, NY (716) 630-7030

