

**PLEASE CHECK WWW.MOLEX.COM FOR LATEST PART INFORMATION**

**Part Number:** **0438600016**  
**Status:** **Active**  
**Overview:** Modular Jacks and Plugs  
**Description:** Modular Jack, Right Angle, Low Profile, Inverted, Shielded, Offset Panel Grounding Tabs, Lightpipes, 8/8

**Documents:**

[3D Model](#) [Packaging Specification PK-43860-005 \(PDF\)](#)  
[Drawing \(PDF\)](#) [RoHS Certificate of Compliance \(PDF\)](#)  
[Product Specification PS-43860-003 \(PDF\)](#)

**Agency Certification**

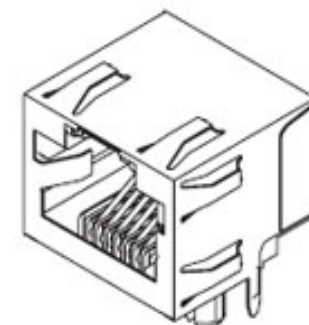
CSA LR19980  
 UL E107635

**General**

Product Family Modular Jacks/Plugs  
 Series [43860](#)  
 Comments Lightpipes will withstand soldering temperature of 160° C  
 Component Type PCB Jack  
 Magnetic No  
 Overview [Modular Jacks and Plugs](#)  
 Performance Category 3  
 Power over Ethernet (PoE) N/A  
 Product Name RJ45  
 UPC 800753933644

**Physical**

Boot Color N/A  
 Color - Resin Black, Clear  
 Durability (mating cycles max) 500  
 Flammability 94V-0  
 Inverted / Top Latch Yes  
 Jack Height 13.54mm  
 Lightpipes/LEDs Lightpipes  
 Material - Metal Brass, Phosphor Bronze  
 Material - Plating Mating Gold  
 Material - Plating Termination Tin  
 Material - Resin High Temperature Thermoplastic, Polycarbonate  
 Net Weight 3.920/g  
 Orientation Right Angle (Side Entry)  
 PCB Locator Yes  
 PCB Retention Yes  
 PCB Thickness - Recommended 1.60mm  
 Packaging Type Tray  
 Panel Mount With Flange  
 Pitch - Mating Interface 1.02mm  
 Pitch - Termination Interface 1.02mm  
 Plating min - Mating 1.270µm  
 Plating min - Termination 2.540µm  
 Ports 1  
 Positions / Loaded Contacts 8/8  
 Surface Mount Compatible (SMC) No  
 Temperature Range - Operating -40°C to +85°C  
 Termination Interface: Style Through Hole  
 Waterproof / Dustproof No



Series image - Reference only

**EU ELV**

**Not Relevant**

**EU RoHS**

**Compliant**

**REACH SVHC**

Not Contained Per -  
 ED/21/2016 (20 June  
 2016)

**Halogen-Free**

**Status**

**Not Low-Halogen**

**Need more information on product environmental compliance?**

Email [productcompliance@molex.com](mailto:productcompliance@molex.com)  
 Please visit the [Contact Us](#) section for any non-product compliance questions.

China ROHS

ELV

Green Image

Not Relevant

**Search Parts in this Series**

[43860 Series](#)

**Mates With**

FCC 68 Plugs

Wire/Cable Type	N/A
<b>Electrical</b>	
Current - Maximum per Contact	1.5A
Grounding to PCB	Yes
Grounding to Panel	Offset Panel Ground Tabs
Shielded	Yes
Voltage - Maximum	150V AC (RMS)
<b>Solder Process Data</b>	
Duration at Max. Process Temperature (seconds)	005
Lead-free Process Capability	WAVE
Max. Cycles at Max. Process Temperature	001
Process Temperature max. C	260
<b>Material Info</b>	
<b>Reference - Drawing Numbers</b>	
Packaging Specification	PK-43860-005
Product Specification	PS-43860-003
Sales Drawing	SD-43860-001

This document was generated on 07/22/2016

**PLEASE CHECK [WWW.MOLEX.COM](http://WWW.MOLEX.COM) FOR LATEST PART INFORMATION**